

ACBMV B. CASADIO VIBRATION
 Z.I. Mi-Plaine
 51 Rue Ampère
 B.P. 31
 69682 CHASSIEU CEDEX (FRANCE)
 Tel.: 04 78 90 87 87 / Fax.: 04 78 90 87 88
 Email: vibrateur@orange.fr
 Internet: acbmv.com

6 POLES - 1000 RPM ATEX II 2G,D - Classe Ex e II T4/T3 tD A21 IP 66 ZONE 1-2 / 21-22
 REF.: 6E2615A Gas T°=T4-- Dust T°=120°C
 SIZE: 35

Certifications:



MECHANICAL AND ELECTRICAL SPECIFICATIONS

Eccentric weight setup (%)	Static moment (kgmm)	Working moment (kgcm)	Centrifugal force (kg)	Centrifugal force (kN)	Estimated bearings life time (hours)
100	457,00	91,40	288	2,83	>100000
90	411,30	82,26	259	2,55	>100000
80	365,60	73,12	230	2,26	>100000
70	319,90	63,98	202	1,98	>100000
60	274,20	54,84	173	1,70	>100000
50	228,50	45,70	144	1,42	>100000
40	182,80	36,56	115	1,13	>100000
30	137,10	27,42	86	0,85	>100000
20	91,40	18,28	58	0,57	>100000
10	45,70	9,14	29	0,28	>100000

Power supply (volts)	400
Phases:	three phases
Frequency (Hz)	50 Hz
Rotation speed (RPM)	750
Max input power (watt)	Input: T3=280 T4-- Rating: T3=135 T4--
Max current (amp)	T3=0,57 T4--
IS/IR	T3=1,66 T4--

DIMENSIONAL SPECIFICATIONS (mm)

Vibrator weight: 36,5 kg

Continual service ambient temperature: -20°C à +40°C - Tropicalization anti-mold - Mechanical protection: IP66 IK08 according to IEC

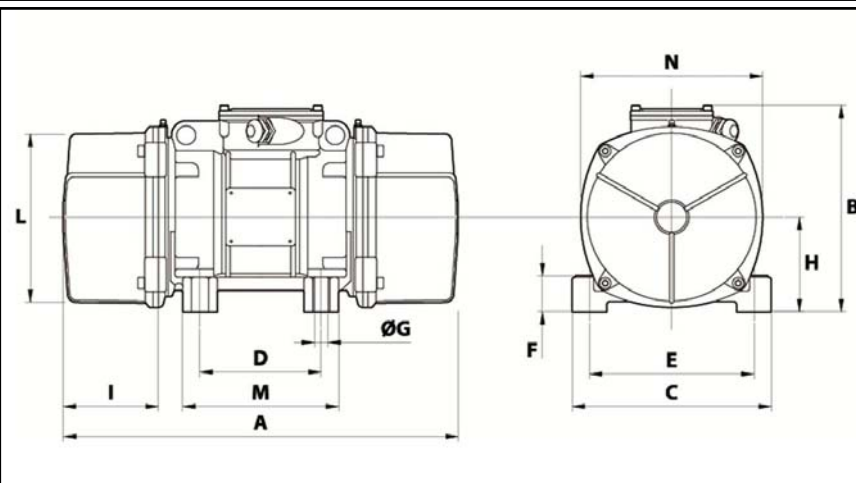
Bearing type: BALL

Lubrication "FOR LIFE" with double protection screen

Fixing with 4 screws M16 - 5/8" quality 8.8 with tightening torque (kgm - ft/lb): 19 - 137

Power supply cable size: 9 à 16 mm - Cable entry thread: M25x1,5

Maintenance space: 117,5 mm



A	435
B	225
C	205
D	120
E	170
F	54
G	17
N° HOLES	4
H	54
I	118
L	187
M	162
N	203