

ACBMV B. CASADIO VIBRATION
 Z.I. Mi-Plaine
 51 Rue Ampère
 B.P. 31
 69682 CHASSIEU CEDEX (FRANCE)
 Tel.: 04 78 90 87 87 / Fax.: 04 78 90 87 88
 Email: vibrateur@orange.fr
 Internet: acbmv.com

6 POLES - 1000 RPM ATEX II 2G,D - Classe Ex e II T4/T3 tD A21 IP 66 ZONE 1-2 / 21-22
 REF.: 6E2618A Gas T°=T3-- Dust T°=150°C
 SIZE: 60

Certifications:



MECHANICAL AND ELECTRICAL SPECIFICATIONS

Eccentric weight setup (%)	Static moment (kgmm)	Working moment (kgcm)	Centrifugal force (kg)	Centrifugal force (kN)	Estimated bearings life time (hours)
100	1464,00	292,80	922	9,04	60186
90	1317,60	263,52	830	8,14	85442
80	1171,20	234,24	738	7,23	>100000
70	1024,80	204,96	645	6,33	>100000
60	878,40	175,68	553	5,42	>100000
50	732,00	146,40	461	4,52	>100000
40	585,60	117,12	369	3,62	>100000
30	439,20	87,84	277	2,71	>100000
20	292,80	58,56	184	1,81	>100000
10	146,40	29,28	92	0,90	>100000

Power supply (volts)	400
Phases:	three phases
Frequency (Hz)	50 Hz
Rotation speed (RPM)	750
Max input power (watt)	Input: T3=950 T4=- Rating: T3=646 T4=-
Max current (amp)	T3=2,09 T4=-
IS/IR	T3=2,63 T4=-

DIMENSIONAL SPECIFICATIONS (mm)

Vibrator weight: 83,0 kg

Continual service ambient temperature: -20°C à +40°C - Tropicalization anti-mold - Mechanical protection: IP66 IK08 according to IEC

Bearing type: ROLLER

Lubrication LONG-LIFE with KLUEBER STABURAGS NBU 8EP.

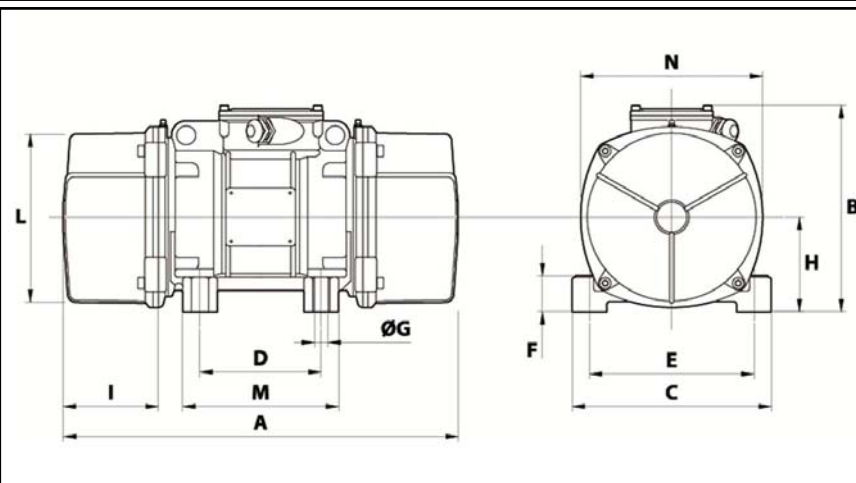
Re lubrication quantity after 1000 hours of using: 14g

Max quantity by replaced bearing: 28g

Fixing with 4 screws M20 - 13/16" quality 8.8 with tightening torque (kgm - ft/lb): 38 - 275

Power supply cable size: 9 à 16 mm - Cable entry thread: M25x1,5

Maintenance space: 177 mm



A	617
B	272
C	275
D	155
E	225
F	70
G	22
N° HOLES	4
H	70
I	177
L	238
M	210
N	253