


ACBMV B. CASADIO VIBRATION
 Z.I. Mi-Plaine
 51 Rue Ampère
 B.P. 31
 69682 CHASSIEU CEDEX (FRANCE)
 Tel.: 04 78 90 87 87 / Fax.: 04 78 90 87 88
 Email: vibrateur@orange.fr
 Internet: acbm.com

6 POLES - 1000 RPM ATEX II 2G,D - Classe Ex e II T4/T3 tD A21 IP 66 ZONE 1-2 / 21-22
 REF.: 6E2826A Gas T°=T3-- Dust T°=135°C
 SIZE: 90

Certifications: 



MECHANICAL AND ELECTRICAL SPECIFICATIONS

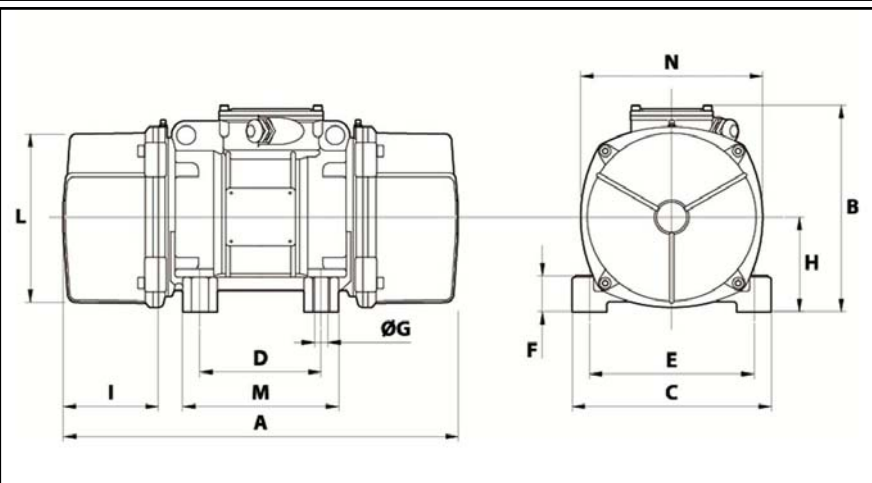
Eccentric weight setup (%)	Static moment (kgmm)	Working moment (kgcm)	Centrifugal force (kg)	Centrifugal force (kN)	Estimated bearings life time (hours)
100	5838,00	1167,60	3672	36,00	>100000
90	5254,20	1050,84	3305	32,40	>100000
80	4670,40	934,08	2938	28,80	>100000
70	4086,60	817,32	2570	25,20	>100000
60	3502,80	700,56	2203	21,60	>100000
50	2919,00	583,80	1836	18,00	>100000
40	2335,20	467,04	1469	14,40	>100000
30	1751,40	350,28	1102	10,80	>100000
20	1167,60	233,52	734	7,20	>100000
10	583,80	116,76	367	3,60	>100000

Power supply (volts)	400
Phases:	three phases
Frequency (Hz)	50 Hz
Rotation speed (RPM)	750
Max input power (watt)	Input: T3=3520 T4=- Rating: T3=2570 T4=-
Max current (amp)	T3=7,79 T4=-
IS/IR	T3=3,8 T4=-

DIMENSIONAL SPECIFICATIONS (mm)

Vibrator weight: 268,0 kg

Continual service ambient temperature: -20°C à +40°C - Tropicalization anti-mold - Mechanical protection: IP66 IK08 according to IEC
 Bearing type: ROLLER
 Lubrication LONG-LIFE with KLUEBER STABURAGS NBU 8EP.
 Re lubrication quantity after 1000 hours of using: 60g
 Max quantity by replaced bearing: 120g
 Fixing with 4 screws M27 - 1" quality 8.8 with tightening torque (kgm - ft/lb): 89 - 645
 Power supply cable size: 13 à 20 mm - Cable entry thread: M32x1,5
 Maintenance space: 240 mm



A	840
B	370
C	390
D	200
E	320
F	90
G	28
N° HOLES	4
H	90
I	240
L	330
M	270
N	350