

ACBMV B. CASADIO VIBRATION
 Z.I. Mi-Plaine
 51 Rue Ampère
 B.P. 31
 69682 CHASSIEU CEDEX (FRANCE)
 Tel.: 04 78 90 87 87 / Fax.: 04 78 90 87 88
 Email: vibrateur@orange.fr
 Internet: acbmv.com

4 POLES - 1500 RPM ATEX II 2D tD A21 IP 66 ZONE 21-22
 REF.: 6T1447A Dust T°=135°C
 SIZE: 80

Certifications:



MECHANICAL AND ELECTRICAL SPECIFICATIONS

Eccentric weight setup (%)	Static moment (kgmm)	Working moment (kgcm)	Centrifugal force (kg)	Centrifugal force (kN)	Estimated bearings life time (hours)
100	2248	449,60	5654	55,50	10962
90	2023,20	404,64	5089	49,95	15570
80	1798,40	359,68	4523	44,40	23067
70	1573,60	314,72	3958	38,85	35988
60	1348,80	269,76	3392	33,30	60194
50	1124,00	224,80	2827	27,75	>100000
40	899,20	179,84	2262	22,20	>100000
30	674,40	134,88	1696	16,65	>100000
20	449,60	89,92	1131	11,10	>100000
10	224,80	44,96	565	5,55	>100000

Power supply (volts)	400
Phases:	three phases
Frequency (Hz)	50 Hz
Rotation speed (RPM)	1500
Max input power (watt)	3600
Max current (amp)	6
IS/IR	7,02

DIMENSIONAL SPECIFICATIONS (mm)

Vibrator weight: 163,5 kg

Continual service ambient temperature: -20°C à +40°C - Tropicalization anti-mold - Mechanical protection: IP66 IK08 according to IEC

Bearing type: ROLLER

Lubrication LONG-LIFE with KLUEBER STABURAGS NBU 8EP.

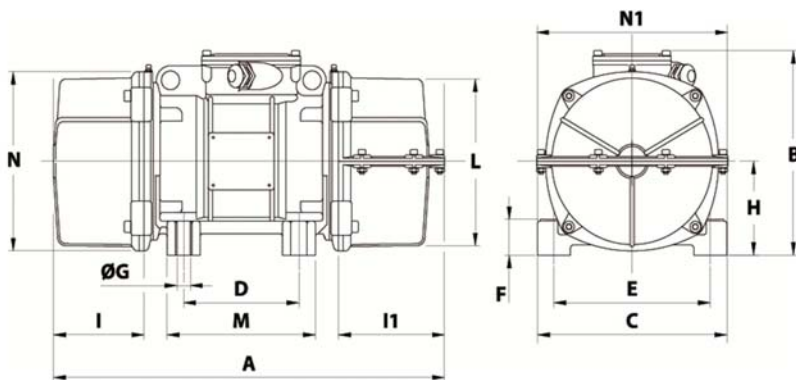
Re lubrication quantity after 1000 hours of using: 40g

Max quantity by replaced bearing: 80g

Fixing with 4 screws M24 - 15/16" quality 8.8 with tightening torque (kgm - ft/lb): 71 - 513

Power supply cable size: 13 à 20 mm - Cable entry thread: M32x1,5

Maintenance space: 176 mm



A	1 COVER: 656 / 2 COVERS: 682
B	347
C	340
D	180
E	280
F	80
G	26
N° HOLES	4
H	165
I	150
I1	176
N1	356
L	303
M	240
N	320