

ACBMV B. CASADIO VIBRATION
 Z.I. Mi-Plaine
 51 Rue Ampère
 B.P. 31
 69682 CHASSIEU CEDEX (FRANCE)
 Tel.: 04 78 90 87 87 / Fax.: 04 78 90 87 88
 Email: vibrateur@orange.fr
 Internet: acbmv.com

4 POLES - 1800 RPM ATEX II 2D tD A21 IP 66 ZONE 21-22
 REF.: 6T1447C Dust T°=135°C
 SIZE: 80

Certifications:



MECHANICAL AND ELECTRICAL SPECIFICATIONS

Eccentric weight setup (%)	Static moment (kgmm)	Working moment (kgcm)	Centrifugal force (kg)	Centrifugal force (kN)	Estimated bearings life time (hours)
100	1677	335,40	6075	59,60	7191
90	1509,30	301,86	5468	53,64	10214
80	1341,60	268,32	4860	47,68	15129
70	1173,90	234,78	4253	41,72	23603
60	1006,20	201,24	3645	35,76	39472
50	838,50	167,70	3038	29,80	72441
40	670,80	134,16	2430	23,84	>100000
30	503,10	100,62	1823	17,88	>100000
20	335,40	67,08	1215	11,92	>100000
10	167,70	33,54	608	5,96	>100000

Power supply (volts)	460
Phases:	three phases
Frequency (Hz)	60 Hz
Rotation speed (RPM)	1800
Max input power (watt)	3400
Max current (amp)	5
IS/IR	8

DIMENSIONAL SPECIFICATIONS (mm)

Vibrator weight: 155 kg

Continual service ambient temperature: -20°C à +40°C - Tropicalization anti-mold - Mechanical protection: IP66 IK08 according to IEC

Bearing type: ROLLER

Lubrication LONG-LIFE with KLUEBER STABURAGS NBU 8EP.

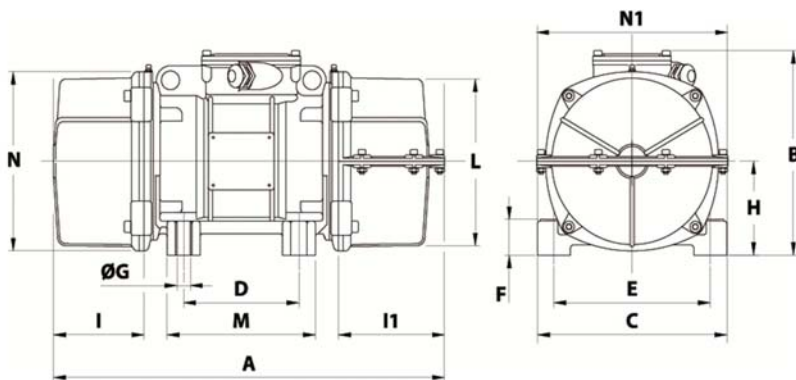
Re lubrication quantity after 1000 hours of using: 40g

Max quantity by replaced bearing: 80g

Fixing with 4 screws M24 - 15/16" quality 8.8 with tightening torque (kgm - ft/lb): 71 - 513

Power supply cable size: 13 à 20 mm - Cable entry thread: M32x1,5

Maintenance space: 176 mm



A	1 COVER: 656 / 2 COVERS: 682
B	347
C	340
D	180
E	280
F	80
G	26
N° HOLES	4
H	165
I	150
I1	176
N1	356
L	303
M	240
N	320