

ACBMV B. CASADIO VIBRATION  
 Z.I. Mi-Plaine  
 51 Rue Ampère  
 B.P. 31  
 69682 CHASSIEU CEDEX (FRANCE)  
 Tel.: 04 78 90 87 87 / Fax.: 04 78 90 87 88  
 Email: [vibrateur@orange.fr](mailto:vibrateur@orange.fr)  
 Internet: [acbmv.com](http://acbmv.com)

6 POLES - 1200 RPM      ATEX II 2D tD A21 IP 66 ZONE 21-22  
 REF.: 6T2142C              Dust T°=135°C  
 SIZE: 105

Certifications:



### MECHANICAL AND ELECTRICAL SPECIFICATIONS

Eccentric weight setup (%)	Static moment (kgmm)	Working moment (kgcm)	Centrifugal force (kg)	Centrifugal force (kN)	Estimated bearings life time (hours)
100	8700	1740,00	14004	137,00	19098
90	7830,00	1566,00	12604	123,30	27131
80	6960,00	1392,00	11203	109,60	40183
70	6090,00	1218,00	9803	95,90	62704
60	5220,00	1044,00	8402	82,20	>100000
50	4350,00	870,00	7002	68,50	>100000
40	3480,00	696,00	5602	54,80	>100000
30	2610,00	522,00	4201	41,10	>100000
20	1740,00	348,00	2801	27,40	>100000
10	870,00	174,00	1400	13,70	>100000

Power supply (volts)	460
Phases:	three phases
Frequency (Hz)	60 Hz
Rotation speed (RPM)	1200
Max input power (watt)	11270
Max current (amp)	18
IS/IR	5,78

### DIMENSIONAL SPECIFICATIONS (mm)

**Vibrator weight: 605 kg**

Continual service ambient temperature: -20°C à +40°C - Tropicalization anti-mold - Mechanical protection: IP66 IK08 according to IEC

Bearing type: ROLLER

Lubrication LONG-LIFE with KLUEBER STABURAGS NBU 8EP.

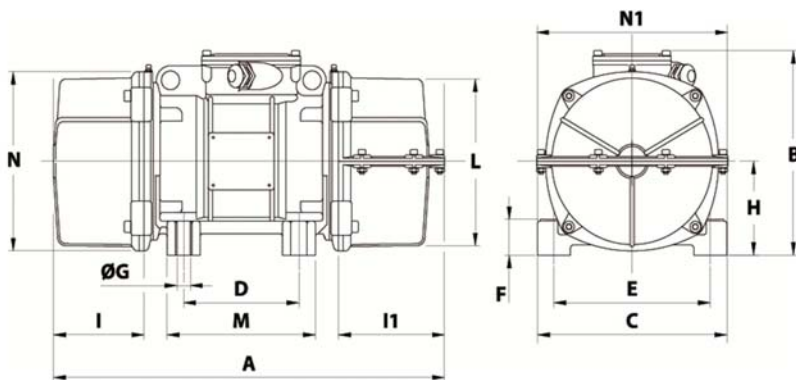
Re lubrication quantity after 1000 hours of using: 150g

Max quantity by replaced bearing: 300g

Fixing with 8 screws M42 - 1 5/8" quality 8.8 with tightening torque (kgm - ft/lb): 290 - 2090

Power supply cable size: 13 à 20 mm - Cable entry thread: M32x1,5

Maintenance space: 270 mm



A	1 COVER: 1030 / 2 COVERS: 1100
B	526
C	570
D	140
E	480
F	41
G	45
N° HOLES	8
H	268
I	200
I1	270
N1	566
L	495
M	510
N	516