

ACBMV B. CASADIO VIBRATION
 Z.I. Mi-Plaine
 51 Rue Ampère
 B.P. 31
 69682 CHASSIEU CEDEX (FRANCE)
 Tel.: 04 78 90 87 87 / Fax.: 04 78 90 87 88
 Email: vibrateur@orange.fr
 Internet: acbmv.com

6 POLES - 1000 RPM ATEX II 2D tD A21 IP 66 ZONE 21-22
 REF.: 6T2381A Dust T°=135°C
 SIZE: 50

Certifications:



MECHANICAL AND ELECTRICAL SPECIFICATIONS

Eccentric weight setup (%)	Static moment (kgmm)	Working moment (kgcm)	Centrifugal force (kg)	Centrifugal force (kN)	Estimated bearings life time (hours)
100	1012	202,40	1132	11,10	23001
90	910,80	182,16	1019	9,99	31533
80	809,60	161,92	906	8,88	44864
70	708,40	141,68	792	7,77	67160
60	607,20	121,44	679	6,66	>100000
50	506,00	101,20	566	5,55	>100000
40	404,80	80,96	453	4,44	>100000
30	303,60	60,72	340	3,33	>100000
20	202,40	40,48	226	2,22	>100000
10	101,20	20,24	113	1,11	>100000

Power supply (volts)	400
Phases:	three phases
Frequency (Hz)	50 Hz
Rotation speed (RPM)	1000
Max input power (watt)	750
Max current (amp)	1,65
IS/IR	3,33

DIMENSIONAL SPECIFICATIONS (mm)

Vibrator weight: 64,5 kg

Continual service ambient temperature: -20°C à +40°C - Tropicalization anti-mold - Mechanical protection: IP66 IK08 according to IEC

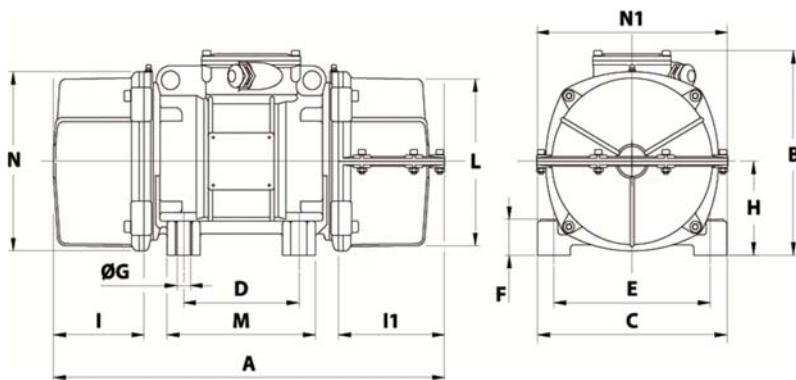
Bearing type: BALL

Lubrication "FOR LIFE" with double protection screen

Fixing with 4 screws M16 - 5/8" quality 8.8 with tightening torque (kgm - ft/lb): 19 - 137

Power supply cable size: 9 à 16 mm - Cable entry thread: M25x1,5

Maintenance space: 192 mm



A	1 COVER: 595 / 2 COVERS: 616
B	246
C	230
D	140
E	190
F	54
G	17
N° HOLES	4
H	116
I	168
I1	192
N1	258
L	210
M	180
N	225