

ACBMV B. CASADIO VIBRATION
 Z.I. Mi-Plaine
 51 Rue Ampère
 B.P. 31
 69682 CHASSIEU CEDEX (FRANCE)
 Tel.: 04 78 90 87 87 / Fax.: 04 78 90 87 88
 Email: vibrateur@orange.fr
 Internet: acbmv.com

8 POLES - 900 RPM ATEX II 2D tD A21 IP 66 ZONE 21-22
 REF.: 6T2515C Dust T°=135°C
 SIZE: 80

Certifications:



MECHANICAL AND ELECTRICAL SPECIFICATIONS

Eccentric weight setup (%)	Static moment (kgmm)	Working moment (kgcm)	Centrifugal force (kg)	Centrifugal force (kN)	Estimated bearings life time (hours)
100	4206	841,20	3808	37,40	68190
90	3785,40	757,08	3427	33,66	96901
80	3364,80	672,96	3046	29,92	>100000
70	2944,20	588,84	2666	26,18	>100000
60	2523,60	504,72	2285	22,44	>100000
50	2103,00	420,60	1904	18,70	>100000
40	1682,40	336,48	1523	14,96	>100000
30	1261,80	252,36	1142	11,22	>100000
20	841,20	168,24	762	7,48	>100000
10	420,60	84,12	381	3,74	>100000

Power supply (volts)	460
Phases:	three phases
Frequency (Hz)	60 Hz
Rotation speed (RPM)	900
Max input power (watt)	3000
Max current (amp)	6
IS/IR	4,2

DIMENSIONAL SPECIFICATIONS (mm)

Vibrator weight: 204 kg

Continual service ambient temperature: -20°C à +40°C - Tropicalization anti-mold - Mechanical protection: IP66 IK08 according to IEC

Bearing type: ROLLER

Lubrication LONG-LIFE with KLUEBER STABURAGS NBU 8EP.

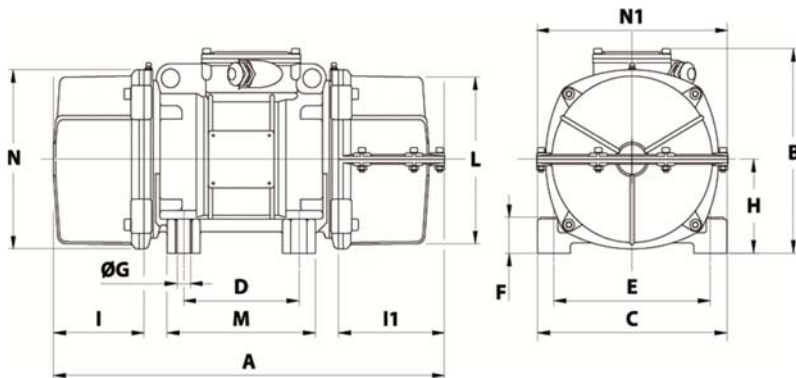
Re lubrication quantity after 1000 hours of using: 40g

Max quantity by replaced bearing: 80g

Fixing with 4 screws M24 - 15/16" quality 8.8 with tightening torque (kgm - ft/lb): 71 - 513

Power supply cable size: 13 à 20 mm - Cable entry thread: M32x1,5

Maintenance space: 259 mm



A	1 COVER: 822 / 2 COVERS: 848
B	347
C	340
D	180
E	280
F	80
G	26
N° HOLES	4
H	165
I	233
I1	259
N1	356
L	303
M	240
N	320