

ACBMV B. CASADIO VIBRATION  
 Z.I. Mi-Plaine  
 51 Rue Ampère  
 B.P. 31  
 69682 CHASSIEU CEDEX (FRANCE)  
 Tel.: 04 78 90 87 87 / Fax.: 04 78 90 87 88  
 Email: [vibrateur@orange.fr](mailto:vibrateur@orange.fr)  
 Internet: [acbmv.com](http://acbmv.com)

8 POLES - 900 RPM      ATEX II 2D tD A21 IP 66 ZONE 21-22  
 REF.: 6T2551C      Dust T°=135°C  
 SIZE: 97

Certifications:



### MECHANICAL AND ELECTRICAL SPECIFICATIONS

Eccentric weight setup (%)	Static moment (kgmm)	Working moment (kgcm)	Centrifugal force (kg)	Centrifugal force (kN)	Estimated bearings life time (hours)
100	7340	1468,00	6647	65,20	27781
90	6606,00	1321,20	5982	58,68	39477
80	5872,00	1174,40	5318	52,16	58435
70	5138,00	1027,60	4653	45,64	91213
60	4404,00	880,80	3988	39,12	>100000
50	3670,00	734,00	3324	32,60	>100000
40	2936,00	587,20	2659	26,08	>100000
30	2202,00	440,40	1994	19,56	>100000
20	1468,00	293,60	1329	13,04	>100000
10	734,00	146,80	665	6,52	>100000

Power supply (volts)	460
Phases:	three phases
Frequency (Hz)	60 Hz
Rotation speed (RPM)	900
Max input power (watt)	6000
Max current (amp)	10
IS/IR	3,3

### DIMENSIONAL SPECIFICATIONS (mm)

**Vibrator weight: 330 kg**

Continual service ambient temperature: -20°C à +40°C - Tropicalization anti-mold - Mechanical protection: IP66 IK08 according to IEC

Bearing type: ROLLER

Lubrication LONG-LIFE with KLUEBER STABURAGS NBU 8EP.

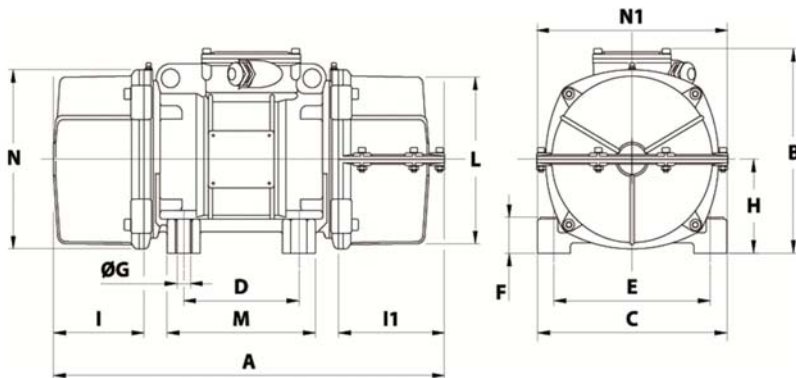
Re lubrication quantity after 1000 hours of using: 60g

Max quantity by replaced bearing: 120g

Fixing with 6 screws M36 - 1 3/8" quality 8.8 with tightening torque (kgm - ft/lb): 190 - 1370

Power supply cable size: 13 à 20 mm - Cable entry thread: M32x1,5

Maintenance space: 246 mm



A	1 COVER: 878 / 2 COVERS: 894
B	437
C	460
D	125
E	380
F	35
G	39
N° HOLES	6
H	215
I	230
I1	246
N1	450
L	387
M	320
N	414