

ACBMV B. CASADIO VIBRATION
 Z.I. Mi-Plaine
 51 Rue Ampère
 B.P. 31
 69682 CHASSIEU CEDEX (FRANCE)
 Tel.: 04 78 90 87 87 / Fax.: 04 78 90 87 88
 Email: vibrateur@orange.fr
 Internet: acbm.com

8 POLES - 750 RPM ATEX II 2D tD A21 IP 66 ZONE 21-22
 REF.: 6T2827A Dust T°=135°C
 SIZE: 95

Certifications:



MECHANICAL AND ELECTRICAL SPECIFICATIONS

Eccentric weight setup (%)	Static moment (kgmm)	Working moment (kgcm)	Centrifugal force (kg)	Centrifugal force (kN)	Estimated bearings life time (hours)
100	7197	1439,40	4526	44,40	>100000
90	6477,30	1295,46	4073	39,96	>100000
80	5757,60	1151,52	3621	35,52	>100000
70	5037,90	1007,58	3168	31,08	>100000
60	4318,20	863,64	2716	26,64	>100000
50	3598,50	719,70	2263	22,20	>100000
40	2878,80	575,76	1810	17,76	>100000
30	2159,10	431,82	1358	13,32	>100000
20	1439,40	287,88	905	8,88	>100000
10	719,70	143,94	453	4,44	>100000

Power supply (volts)	400
Phases:	three phases
Frequency (Hz)	50 Hz
Rotation speed (RPM)	750
Max input power (watt)	4900
Max current (amp)	9,9
IS/IR	3,04

DIMENSIONAL SPECIFICATIONS (mm)

Vibrator weight: 315,0 kg

Continual service ambient temperature: -20°C à +40°C - Tropicalization anti-mold - Mechanical protection: IP66 IK08 according to IEC

Bearing type: ROLLER

Lubrication LONG-LIFE with KLUEBER STABURAGS NBU 8EP.

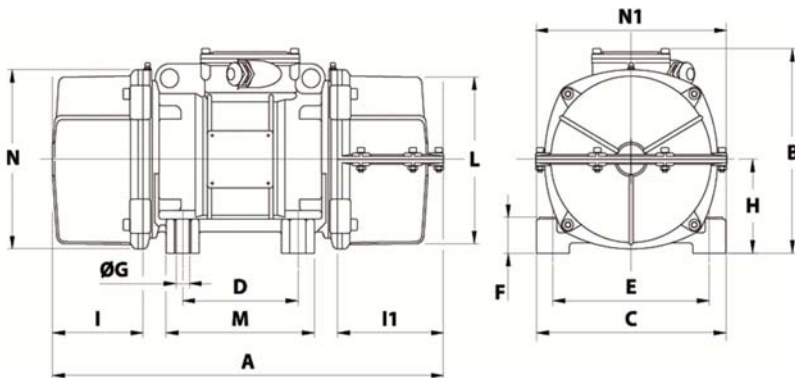
Re lubrication quantity after 1000 hours of using: 80g

Max quantity by replaced bearing: 150g

Fixing with 4 screws M27 - 1" quality 8.8 with tightening torque (kgm - ft/lb): 89 - 645

Power supply cable size: 13 à 20 mm - Cable entry thread: M32x1,5

Maintenance space: 281 mm



A	1 COVER: 896 / 2 COVERS: 922
B	395
C	392
D	200
E	320
F	100
G	28
N° HOLES	4
H	192
I	255
I1	281
N1	410
L	355
M	270
N	375