

ACBMV B. CASADIO VIBRATION
 Z.I. Mi-Plaine
 51 Rue Ampère
 B.P. 31
 69682 CHASSIEU CEDEX (FRANCE)
 Tel.: 04 78 90 87 87 / Fax.: 04 78 90 87 88
 Email: vibrateur@orange.fr
 Internet: acbm.com

8 POLES - 750 RPM ATEX II 2D tD A21 IP 66 ZONE 21-22
 REF.: 6T2870A Dust T°=135°C
 SIZE: 97

Certifications:



MECHANICAL AND ELECTRICAL SPECIFICATIONS

Eccentric weight setup (%)	Static moment (kgmm)	Working moment (kgcm)	Centrifugal force (kg)	Centrifugal force (kN)	Estimated bearings life time (hours)
100	12390	2478,00	7792	76,40	>100000
90	11151,00	2230,20	7013	68,76	>100000
80	9912,00	1982,40	6234	61,12	>100000
70	8673,00	1734,60	5454	53,48	>100000
60	7434,00	1486,80	4675	45,84	>100000
50	6195,00	1239,00	3896	38,20	>100000
40	4956,00	991,20	3117	30,56	>100000
30	3717,00	743,40	2338	22,92	>100000
20	2478,00	495,60	1558	15,28	>100000
10	1239,00	247,80	779	7,64	>100000

Power supply (volts)	400
Phases:	three phases
Frequency (Hz)	50 Hz
Rotation speed (RPM)	750
Max input power (watt)	6800
Max current (amp)	13,2
IS/IR	3,33

DIMENSIONAL SPECIFICATIONS (mm)

Vibrator weight: 438,0 kg

Continual service ambient temperature: -20°C à +40°C - Tropicalization anti-mold - Mechanical protection: IP66 IK08 according to IEC

Bearing type: ROLLER

Lubrication LONG-LIFE with KLUEBER STABURAGS NBU 8EP.

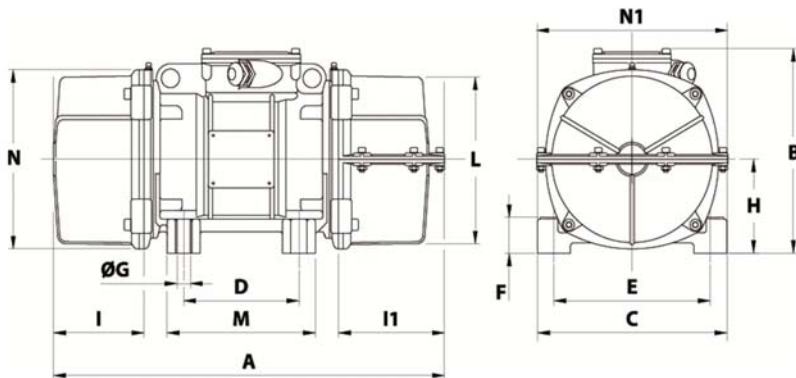
Re lubrication quantity after 1000 hours of using: 90g

Max quantity by replaced bearing: 180g

Fixing with 6 screws M36 - 1 3/8" quality 8.8 with tightening torque (kgm - ft/lb): 190 - 1370

Power supply cable size: 13 à 20 mm - Cable entry thread: M32x1,5

Maintenance space: 315 mm



A	1 COVER: 1017 / 2 COVERS: 1032
B	437
C	460
D	125
E	380
F	35
G	39
N° HOLES	6
H	215
I	300
I1	315
N1	450
L	387
M	320
N	414