

Roller vibratortype DAR3

ACBMV B. CASADIO VIBRATION
 Z.I. Mi-Plaine
 51 Rue Ampère
 B.P. 31
 69682 CHASSIEU CEDEX (FRANCE)
 Tel.: 00334 78 90 87 87 / Fax.: 00334 78 90 87 88
 Email: vibrateur@orange.fr
 Internet: acbm.com

Description:
 Roller vibrators, especially for concrete and other heavy-duty applications. Wide range.

VIBRATING AND PNEUMATIC CHARACTERISTICS

	2 Bars/29 PSI	4 Bars/58 PSI	6 Bars/87 PSI
Frequency (RPM)	27000	32000	32000
Force (N)	2720	4560	6050
Force (LBS)	612,61	1027,03	1362,61
Air cons. (l/min)	100	200	300
Air cons. (CF)	3,57	7,14	10,71

Typical applications:

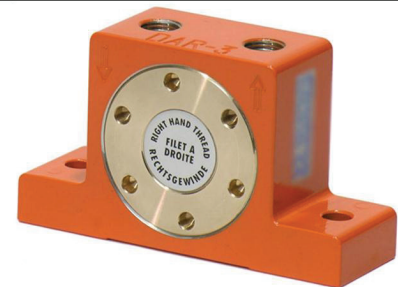
- Compacting of plastic and concrete
- Supporting the flow of material in silos and hoppers
- Separation of different sized products on sieves

Construction:

- Vibration through rotating precision rollers in highly flexible steel guides
- Reinforced by two extra-shockproof bronze end plates

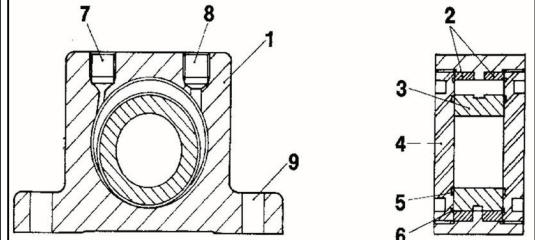
Properties:

- High motive power
- Rated frequency 27000 – 32000 RPM
- Centrifugal force 2720 – 6050 N
- Continuously variable (compressed air)
- Can be used at up to 150°C
- Resistant to extreme environmental conditions

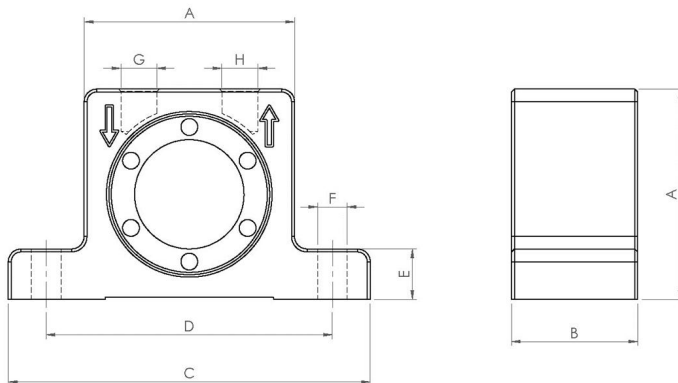


Design:

- 1 Housing made from extruded aluminium alloy
- 2 Highly flexible steel guides
- 3 Cast precision steel roller
- 4 Special bronze end plates
- 5 Lubricant ducts
- 6 Dirt removal ducts
- 7 Air inlet
- 8 Air outlet
- 9 Base mounting bores



DIMENSIONAL SPECIFICATIONS



	mm	inch
A	65	2,56
B	36	1,42
C	113	4,45
D	90	3,54
E	16	0,63
F	9	0,35
G	G 1/4"	G 1/4"
H	G 1/4"	G 1/4"

	kg	LBS
Vibrator weight	0,76	1,689