

Roller vibratortype DAR4

ACBMV B. CASADIO VIBRATION
 Z.I. Mi-Plaine
 51 Rue Ampère
 B.P. 31
 69682 CHASSIEU CEDEX (FRANCE)
 Tel.: 00334 78 90 87 87 / Fax.: 00334 78 90 87 88
 Email: vibrateur@orange.fr
 Internet: acbm.com

Description:
 Roller vibrators, especially for concrete and other heavy-duty applications. Wide range.

VIBRATING AND PNEUMATIC CHARACTERISTICS

	2 Bars/29 PSI	4 Bars/58 PSI	6 Bars/87 PSI
Frequency (RPM)	18000	22500	25000
Force (N)	2360	4610	6690
Force (LBS)	531,53	1038,29	1506,76
Air cons. (l/min)	120	250	360
Air cons. (CF)	4,29	8,93	12,86

Typical applications:

- Compacting of plastic and concrete
- Supporting the flow of material in silos and hoppers
- Separation of different sized products on sieves

Construction:

- Vibration through rotating precision rollers in highly flexible steel guides
- Reinforced by two extra-shockproof bronze end plates

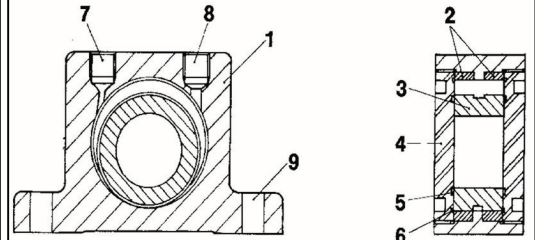
Properties:

- High motive power
- Rated frequency 18000 – 25000 RPM
- Centrifugal force 2360 – 6690 N
- Continuously variable (compressed air)
- Can be used at up to 150°C
- Resistant to extreme environmental conditions

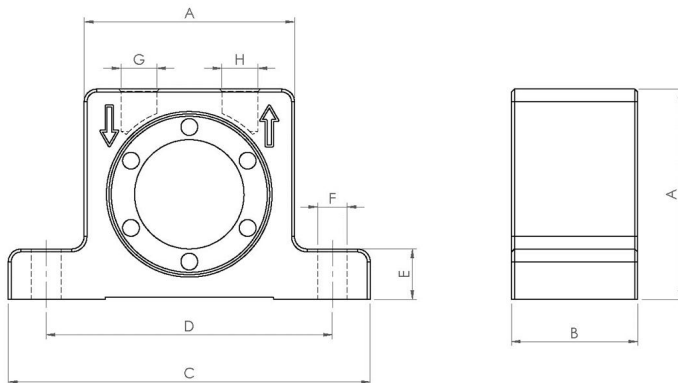


Design:

- 1 Housing made from extruded aluminium alloy
- 2 Highly flexible steel guides
- 3 Cast precision steel roller
- 4 Special bronze end plates
- 5 Lubricant ducts
- 6 Dirt removal ducts
- 7 Air inlet
- 8 Air outlet
- 9 Base mounting bores



DIMENSIONAL SPECIFICATIONS



	mm	inch
A	80	3,15
B	40	1,58
C	128	5,04
D	102	4
E	16	0,63
F	11	0,43
G	G 1/4"	G 1/4"
H	G 1/4"	G 1/4"

	kg	LBS
Vibrator weight	1,27	2,822