

Roller vibratortype DAR5 EX

CE EX II 2 G/D c T6 T85°C

Description:

Roller vibrators, especially for concrete and other heavy-duty applications. Wide range.

ACBMV B. CASADIO VIBRATION
 Z.I. Mi-Plaine
 51 Rue Ampère
 B.P. 31
 69682 CHASSIEU CEDEX (FRANCE)
 Tel.: 00334 78 90 87 87 / Fax.: 00334 78 90 87 88
 Email: vibrateur@orange.fr
 Internet: acbmv.com

VIBRATING AND PNEUMATIC CHARACTERISTICS

	2 Bars/29 PSI	4 Bars/58 PSI	6 Bars/87 PSI
Frequency (RPM)	9500	15000	16500
Force (N)	1680	4640	7200
Force (LBS)	378,38	1045,05	1621,62
Air cons. (l/min)	130	270	390
Air cons. (CF)	4,64	9,64	13,93

Typical applications:

- Compacting of plastic and concrete
- Supporting the flow of material in silos and hoppers
- Separation of different sized products on sieves

Construction:

- Vibration through rotating precision rollers in highly flexible steel guides
- Reinforced by two extra-shockproof bronze end plates

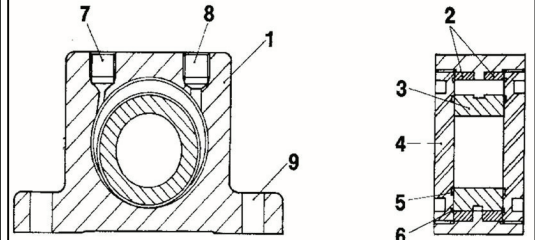
Properties:

- High motive power
- Rated frequency 9500 – 16500 RPM
- Centrifugal force 1680 – 7200 N
- Continuously variable (compressed air)
- Can be used at up to 150°C
- Resistant to extreme environmental conditions

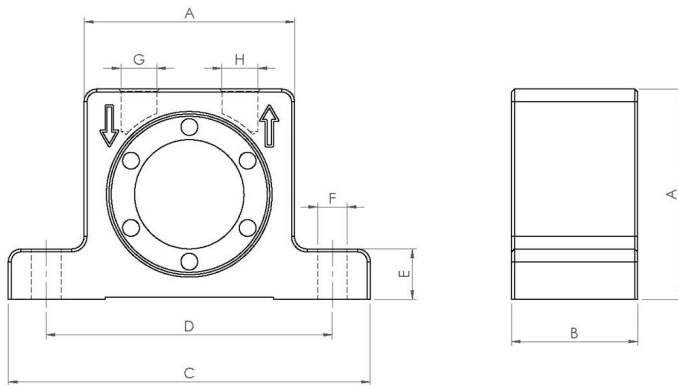


Design:

- 1 Housing made from extruded aluminium alloy
- 2 Highly flexible steel guides
- 3 Cast precision steel roller
- 4 Special bronze end plates
- 5 Lubricant ducts
- 6 Dirt removal ducts
- 7 Air inlet
- 8 Air outlet
- 9 Base mounting bores



DIMENSIONAL SPECIFICATIONS



	mm	inch
A	100	3,94
B	52	2,05
C	160	6,30
D	130	5,12
E	20	0,79
F	13	0,51
G	G 3/8"	G 3/8"
H	G 3/8"	G 3/8"

	kg	LBS
Vibrator weight	2,45	5,444