

Roller vibratortype DAR6

ACBMV B. CASADIO VIBRATION
 Z.I. Mi-Plaine
 51 Rue Ampère
 B.P. 31
 69682 CHASSIEU CEDEX (FRANCE)
 Tel.: 00334 78 90 87 87 / Fax.: 00334 78 90 87 88
 Email: vibrateur@orange.fr
 Internet: acbmv.com

Description:
 Roller vibrators, especially for concrete and other heavy-duty applications. Wide range.

VIBRATING AND PNEUMATIC CHARACTERISTICS

	2 Bars/29 PSI	4 Bars/58 PSI	6 Bars/87 PSI
Frequency (RPM)	7800	10000	12000
Force (N)	4370	6860	10300
Force (LBS)	984,23	1545,05	2319,82
Air cons. (l/min)	170	320	470
Air cons. (CF)	6,07	11,43	16,79

Typical applications:

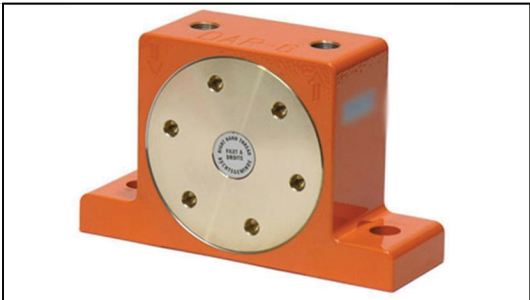
- Compacting of plastic and concrete
- Supporting the flow of material in silos and hoppers
- Separation of different sized products on sieves

Construction:

- Vibration through rotating precision rollers in highly flexible steel guides
- Reinforced by two extra-shockproof bronze end plates

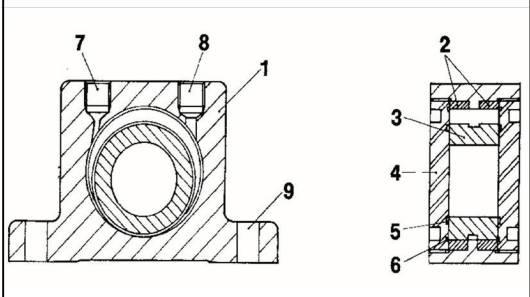
Properties:

- High motive power
- Rated frequency 7800 – 12000 RPM
- Centrifugal force 4370 – 10300 N
- Continuously variable (compressed air)
- Can be used at up to 150°C
- Resistant to extreme environmental conditions

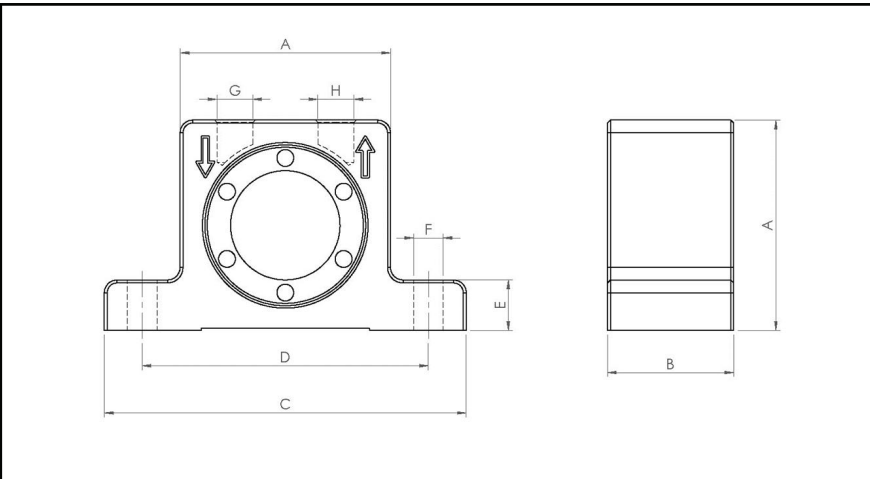


Design:

- 1 Housing made from extruded aluminium alloy
- 2 Highly flexible steel guides
- 3 Cast precision steel roller
- 4 Special bronze end plates
- 5 Lubricant ducts
- 6 Dirt removal ducts
- 7 Air inlet
- 8 Air outlet
- 9 Base mounting bores



DIMENSIONAL SPECIFICATIONS



	mm	inch
A	120	4,73
B	62	2,44
C	194	7,64
D	152	6
E	24	0,95
F	17	0,67
G	G 3/8"	G 3/8"
H	G 3/8"	G 3/8"
	kg	LBS
Vibrator weight	4,7	10,444

This datas and outline drawings of this technical sheet are the property of ACBMV company. Don't reproduce or copy without authorization. This datas and outline drawings are intended to depict overall dimensions and do not necessarily represent the machine exterior. Information contained herein is subject to change without notice.