

Roller vibratortype DAR7

ACBMV B. CASADIO VIBRATION
 Z.I. Mi-Plaine
 51 Rue Ampère
 B.P. 31
 69682 CHASSIEU CEDEX (FRANCE)
 Tel.: 00334 78 90 87 87 / Fax.: 00334 78 90 87 88
 Email: vibrateur@orange.fr
 Internet: acbmv.com

Description:
 Roller vibrators, especially for concrete and other heavy-duty applications. Wide range.

VIBRATING AND PNEUMATIC CHARACTERISTICS

	2 Bars/29 PSI	4 Bars/58 PSI	6 Bars/87 PSI
Frequency (RPM)	8000	9800	11500
Force (N)	5870	9500	12000
Force (LBS)	1322,07	2139,64	2702,70
Air cons. (l/min)	180	350	500
Air cons. (CF)	6,43	12,50	17,86

Typical applications:

- Compacting of plastic and concrete
- Supporting the flow of material in silos and hoppers
- Separation of different sized products on sieves

Construction:

- Vibration through rotating precision rollers in highly flexible steel guides
- Reinforced by two extra-shockproof bronze end plates

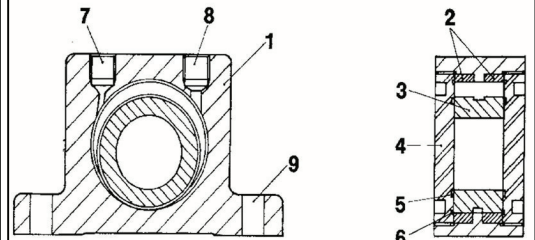
Properties:

- High motive power
- Rated frequency 8000 – 11500 RPM
- Centrifugal force 5870 – 12000 N
- Continuously variable (compressed air)
- Can be used at up to 150°C
- Resistant to extreme environmental conditions

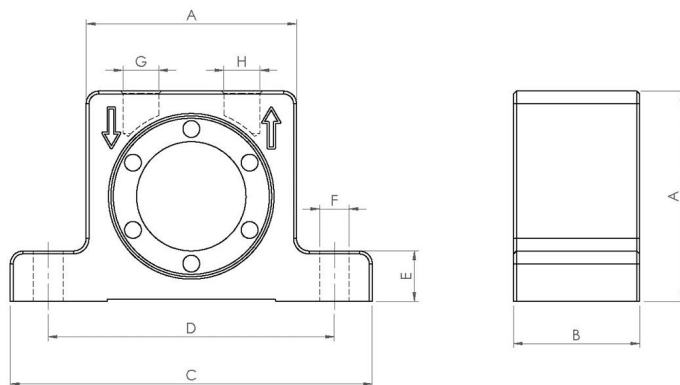


Design:

- 1 Housing made from extruded aluminium alloy
- 2 Highly flexible steel guides
- 3 Cast precision steel roller
- 4 Special bronze end plates
- 5 Lubricant ducts
- 6 Dirt removal ducts
- 7 Air inlet
- 8 Air outlet
- 9 Base mounting bores



DIMENSIONAL SPECIFICATIONS



	mm	inch
A	120	4,73
B	77	3,03
C	194	7,64
D	152	6
E	24	0,95
F	17	0,67
G	G 3/8"	G 3/8"
H	G 3/8"	G 3/8"

	kg	LBS
Vibrator weight	5,7	12,667