

Turbine vibrator type GT08

ACBMV B. CASADIO VIBRATION
 Z.I. Mi-Plaine
 51 Rue Ampère
 B.P. 31
 69682 CHASSIEU CEDEX (FRANCE)
 Tel.: 04 78 90 87 87 / Fax.: 04 78 90 87 88
 Email: vibreur@orange.fr
 Internet: acbm.com

Description:
 High speed and eccentric working torques for strong vibration. Wide range.

VIBRATING AND PNEUMATIC CARACTERISTICS

	2 Bars/29 PSI	4 Bars/58 PSI	6 Bars/87 PSI
Frequency (RPM)	36000	42000	46000
Force (N)	990	2060	2910
Force (LBS)	222,97	463,96	655,41
Air cons. (l/min)	46	80	112
Air cons. (CF)	1,64	2,86	4,00

Typical applications:

- Bunker emptying
- Screen filter
- Vibrating tables
- Preventing adhesions in pipelines and silos
- Moving of bulk materials

Construction:

- Vibration from the centrifugal force of positive and negative unbalanced torques in the rotor.
- Rotor on two pre-lubricated and enclosed ball bearings arranged in pairs. Lubricated with special grease for long life.

Properties:

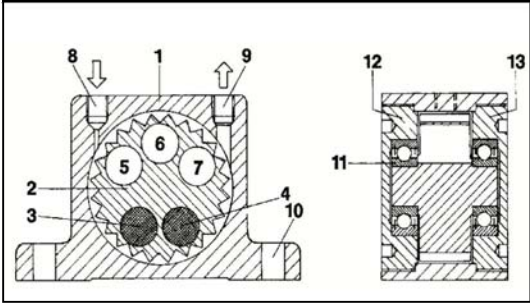
- Lubrication free
- Extremely quiet
- Strong vibration from high speeds and eccentric working torques
- Nominal frequency 36000 à 46000 RPM
- Centrifugal force 990 – 2910 N
- Continuously variable (compressed air)
- Can be used at temperatures up to 150°C
- Resistant to extreme environmental conditions



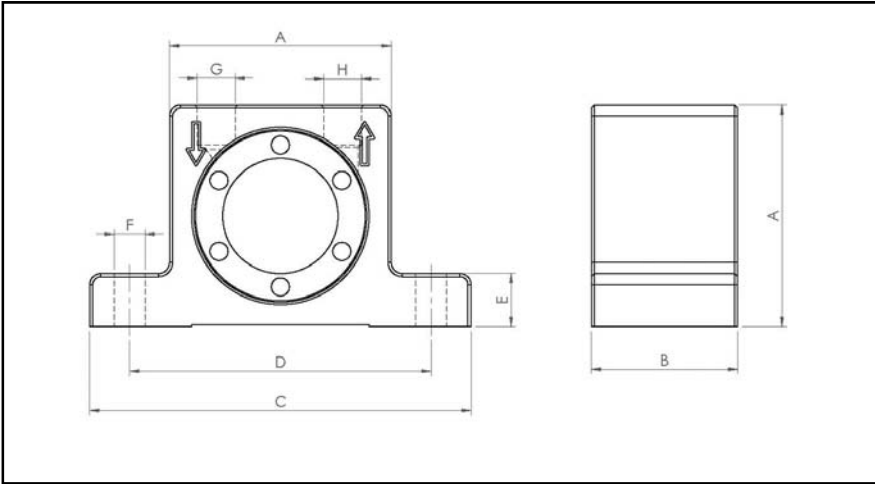
Design:

- 1 Housing made from extruded aluminium alloy
- 2 Turbine wheel made from surface-hardened aluminium
- 3-4 high-density inserts: positive torque
- 5-7 openings for achieving negative torque
- 8 Air supply
- 9 Air outlet
- 10 Base mounting bores
- 11 Pre-lubricated and enclosed ball bearings arranged in pairs

Surface-hardened aluminium end plates
 12 with left-hand thread
 13 with right-hand thread



DIMENSIONAL SPECIFICATIONS



	mm	inch
A	50	1,97
B	33	1,30
C	86	3,39
D	68	2,68
E	12	0,47
F	7	0,28
G	G 1/8"	G 1/8"
H	G 1/8"	G 1/8"

	kg	LBS
Vibrator weight	0,25	0,556