

ACBMV B. CASADIO VIBRATION
 Z.I. Mi-Plaine
 51 Rue Ampère
 B.P. 31
 69682 CHASSIEU CEDEX (FRANCE)
 Tel.: 04 78 90 87 87 / Fax.: 04 78 90 87 88
 Email: vibrateur@orange.fr
 Internet: acbmv.com

Turbine vibrator type GT16 EX

CE EX II 2 G/D c T6 T85°C

Description:

High speed and eccentric working torques for strong vibration. Wide range.

VIBRATING AND PNEUMATIC CHARACTERISTICS

	2 Bars/29 PSI	4 Bars/58 PSI	6 Bars/87 PSI
Frequency (RPM)	17000	21500	24000
Force (N)	1220	2090	3160
Force (LBS)	274,77	470,72	711,71
Air cons. (l/min)	120	200	290
Air cons. (CF)	4,29	7,14	10,36

Typical applications:

- Bunker emptying
- Screen filter
- Vibrating tables
- Preventing adhesions in pipelines and silos
- Moving of bulk materials

Construction:

- Vibration from the centrifugal force of positive and negative unbalanced torques in the rotor.
- Rotor on two pre-lubricated and enclosed ball bearings arranged in pairs. Lubricated with special grease for long life.

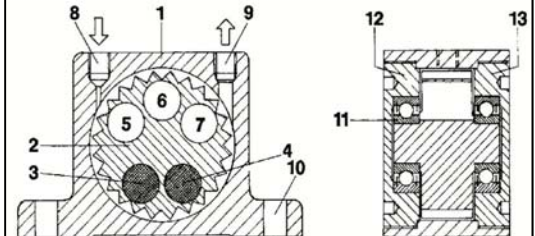
Properties:

- Lubrication free
- Extremely quiet
- Strong vibration from high speeds and eccentric working torques
- Nominal frequency 17000 à 24000 RPM
- Centrifugal force 1220 – 3160 N
- Continuously variable (compressed air)
- Can be used at temperatures up to 150°C
- Resistant to extreme environmental conditions

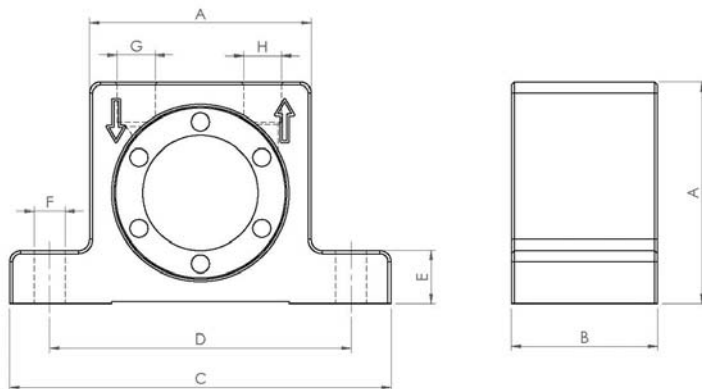


Design:

- 1 Housing made from extruded aluminium alloy
- 2 Turbine wheel made from surface-hardened aluminium
- 3-4 high-density inserts: positive torque
- 5-7 openings for achieving negative torque
- 8 Air supply
- 9 Air outlet
- 10 Base mounting bores
- 11 Pre-lubricated and enclosed ball bearings arranged in pairs
- Surface-hardened aluminium end plates
- 12 with left-hand thread
- 13 with right-hand thread



DIMENSIONAL SPECIFICATIONS



	mm	inch
A	65	2,56
B	42	1,65
C	113	4,45
D	90	3,55
E	16	0,63
F	9	0,35
G	G 1/4"	G 1/4"
H	G 1/4"	G 1/4"
	kg	LBS
Vibrator weight	0,58	1,289