

## Turbine vibrator type GT25

ACBMV B. CASADIO VIBRATION  
 Z.I. Mi-Plaine  
 51 Rue Ampère  
 B.P. 31  
 69682 CHASSIEU CEDEX (FRANCE)  
 Tel.: 04 78 90 87 87 / Fax.: 04 78 90 87 88  
 Email: [vibrateur@orange.fr](mailto:vibrateur@orange.fr)  
 Internet: [acbm.com](http://acbm.com)

**Description:**  
 High speed and eccentric working torques for strong vibration. Wide range.

### VIBRATING AND PNEUMATIC CHARACTERISTICS

	2 Bars/29 PSI	4 Bars/58 PSI	6 Bars/87 PSI
Frequency (RPM)	12000	15500	17000
Force (N)	2120	3510	5070
Force (LBS)	477,48	790,54	1141,89
Air cons. (l/min)	185	325	455
Air cons. (CF)	6,61	11,61	16,25

**Typical applications:**

- Bunker emptying
- Screen filter
- Vibrating tables
- Preventing adhesions in pipelines and silos
- Moving of bulk materials

**Construction:**

- Vibration from the centrifugal force of positive and negative unbalanced torques in the rotor.
- Rotor on two pre-lubricated and enclosed ball bearings arranged in pairs. Lubricated with special grease for long life.

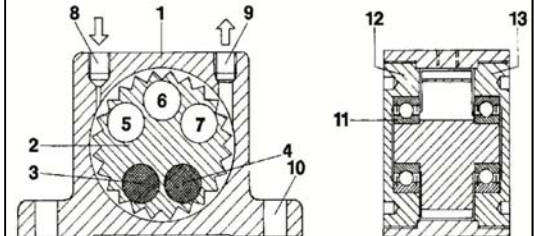
**Properties:**

- Lubrication free
- Extremely quiet
- Strong vibration from high speeds and eccentric working torques
- Nominal frequency 12000 à 17000 RPM
- Centrifugal force 2120 – 5070 N
- Continuously variable (compressed air)
- Can be used at temperatures up to 150°C
- Resistant to extreme environmental conditions

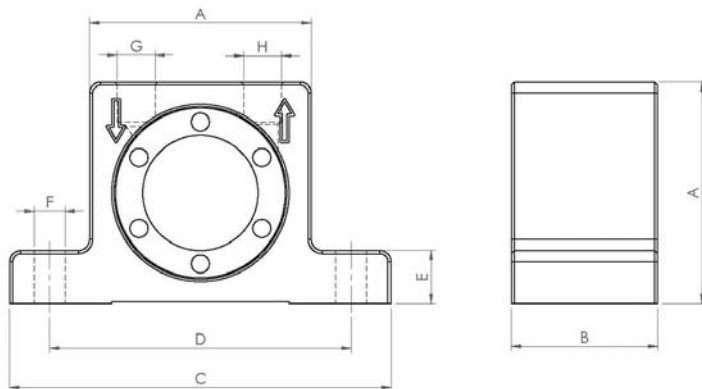


**Design:**

- 1 Housing made from extruded aluminium alloy
  - 2 Turbine wheel made from surface-hardened aluminium
  - 3-4 high-density inserts: positive torque
  - 5-7 openings for achieving negative torque
  - 8 Air supply
  - 9 Air outlet
  - 10 Base mounting bores
  - 11 Pre-lubricated and enclosed ball bearings arranged in pairs
- Surface-hardened aluminium end plates  
 12 with left-hand thread  
 13 with right-hand thread



### DIMENSIONAL SPECIFICATIONS



	mm	inch
A	80	3,15
B	56	2,21
C	128	5,04
D	104	4,10
E	16	0,63
F	9	0,35
G	G 1/4"	G 1/4"
H	G 1/4"	G 1/4"
	kg	LBS
Vibrator weight	1,12	2,489