

Turbine vibrator type GT40

ACBMV B. CASADIO VIBRATION
 Z.I. Mi-Plaine
 51 Rue Ampère
 B.P. 31
 69682 CHASSIEU CEDEX (FRANCE)
 Tel.: 04 78 90 87 87 / Fax.: 04 78 90 87 88
 Email: vibrateur@orange.fr
 Internet: acbmv.com

Description:
 High speed and eccentric working torques for strong vibration. Wide range.

VIBRATING AND PNEUMATIC CHARACTERISTICS

	2 Bars/29 PSI	4 Bars/58 PSI	6 Bars/87 PSI
Frequency (RPM)	7700	8800	9500
Force (N)	4300	7300	9800
Force (LBS)	968,47	1644,14	2207,21
Air cons. (l/min)	425	700	970
Air cons. (CF)	15,18	25,00	34,64

Typical applications:

- Bunker emptying
- Screen filter
- Vibrating tables
- Preventing adhesions in pipelines and silos
- Moving of bulk materials

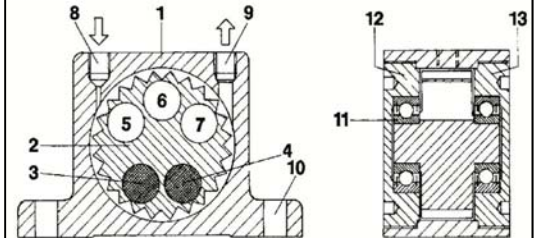
Construction:

- Vibration from the centrifugal force of positive and negative unbalanced torques in the rotor.
- Rotor on two pre-lubricated and enclosed ball bearings arranged in pairs. Lubricated with special grease for long life.

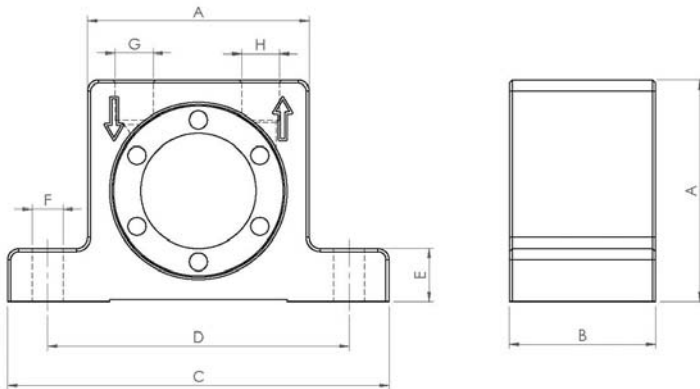
- Properties:**
- Lubrication free
 - Extremely quiet
 - Strong vibration from high speeds and eccentric working torques
 - Nominal frequency 7700 à 9500 RPM
 - Centrifugal force 4300 – 9800 N
 - Continuously variable (compressed air)
 - Can be used at temperatures up to 150°C
 - Resistant to extreme environmental conditions



- Design:**
- 1 Housing made from extruded aluminium alloy
 - 2 Turbine wheel made from surface-hardened aluminium
 - 3-4 high-density inserts: positive torque
 - 5-7 openings for achieving negative torque
 - 8 Air supply
 - 9 Air outlet
 - 10 Base mounting bores
 - 11 Pre-lubricated and enclosed ball bearings arranged in pairs
- Surface-hardened aluminium end plates
 12 with left-hand thread
 13 with right-hand thread



DIMENSIONAL SPECIFICATIONS



	mm	inch
A	120	4,73
B	83	3,27
C	194	7,64
D	152	5,99
E	24	0,95
F	17	0,67
G	G 3/8"	G 3/8"
H	G 3/8"	G 3/8"
	kg	LBS
Vibrator weight	3,69	8,200