

ACBMV B. CASADIO VIBRATION
Z.I. Mi-Plaine
51 Rue Ampère
B.P. 31
69682 CHASSIEU CEDEX (FRANCE)
Tel.: 04 78 90 87 87 / Fax.: 04 78 90 87 88
Email: vibrateur@orange.fr
Internet: acbmv.com

Turbine vibrator type GT48S EX

CE EX II 2 G/D c T6 T85°C

Description:

High speed and eccentric working torques for strong vibration. Wide range.

VIBRATING AND PNEUMATIC CHARACTERISTICS

	2 Bars/29 PSI	4 Bars/58 PSI	6 Bars/87 PSI
Frequency (RPM)	1800	5600	6300
Force (N)		7500	12000
Force (LBS)		1689,19	2702,70
Air cons. (l/min)	425	700	970
Air cons. (CF)	15,18	25,00	34,64

Typical applications:

- Bunker emptying
- Screen filter
- Vibrating tables
- Preventing adhesions in pipelines and silos
- Moving of bulk materials

Construction:

- Vibration from the centrifugal force of positive and negative unbalanced torques in the rotor.
- Rotor on two pre-lubricated and enclosed ball bearings arranged in pairs. Lubricated with special grease for long life.

Properties:

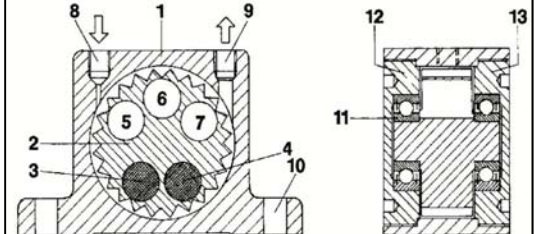
- Lubrication free
- Extremely quiet
- Strong vibration from high speeds and eccentric working torques
- Nominal frequency 1800 à 6300 RPM
- Centrifugal force – 12000 N
- Continuously variable (compressed air)
- Can be used at temperatures up to 150°C
- Resistant to extreme environmental conditions



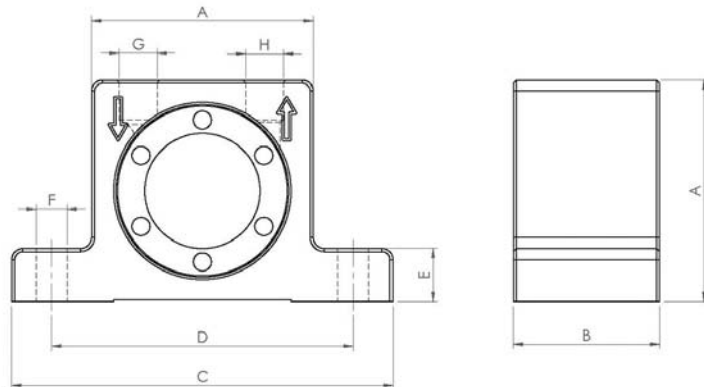
Design:

- 1 Housing made from extruded aluminium alloy
- 2 Turbine wheel made from surface-hardened aluminium
- 3-4 high-density inserts: positive torque
- 5-7 openings for achieving negative torque
- 8 Air supply
- 9 Air outlet
- 10 Base mounting bores
- 11 Pre-lubricated and enclosed ball bearings arranged in pairs

- Surface-hardened aluminium end plates
12 with left-hand thread
13 with right-hand thread



DIMENSIONAL SPECIFICATIONS



	mm	inch
A	120	4,73
B	83	3,27
C	194	7,64
D	152	5,99
E	24	0,95
F	17	0,67
G	G 3/8"	G 3/8"
H	G 3/8"	G 3/8"

	kg	LBS
Vibrator weight	4,29	9,533