

## Turbine vibrator type T50/HP

ACBMV B. CASADIO VIBRATION  
 Z.I. Mi-Plaine  
 51 Rue Ampère  
 B.P. 31  
 69682 CHASSIEU CEDEX (FRANCE)  
 Tel.: 04 78 90 87 87 / Fax.: 04 78 90 87 88  
 Email: [vibrateur@orange.fr](mailto:vibrateur@orange.fr)  
 Internet: [acbm.com](http://acbm.com)

**Description:**  
 High speed and high working torque for strong vibration at great amplitude. Wide range.

### VIBRATING AND PNEUMATIC CHARACTERISTICS

	2 Bars/29 PSI	4 Bars/58 PSI	6 Bars/87 PSI
Frequency (RPM)	11000	14500	16500
Force (N)	600	1020	1350
Force (LBS)	135,14	229,73	304,05
Air cons. (l/min)	79	140	198
Air cons. (CF)	2,82	5,00	7,07

**Typical applications:**

- Emptying of bunkers
- Screen filters
- Vibrating tables
- Preventing adhesions in pipelines and silos
- Transport of fine powders
- Movement of bulk materials

**Construction:**

- Vibration with a high eccentric torque, caused by the rotor's unbalance
- Low noise level

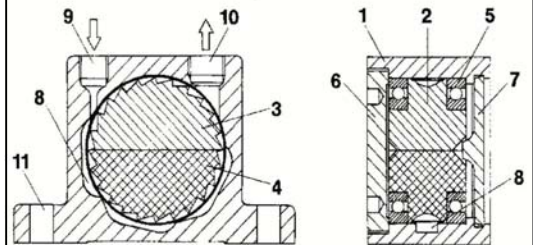
**Properties:**

- Rated frequency 11000 – 16500 RPM
- Centrifugal force 600 – 1350 N
- Continuously variable (Compressed air)
- Can be used at up to 150°C
- Resistant to extreme environmental conditions

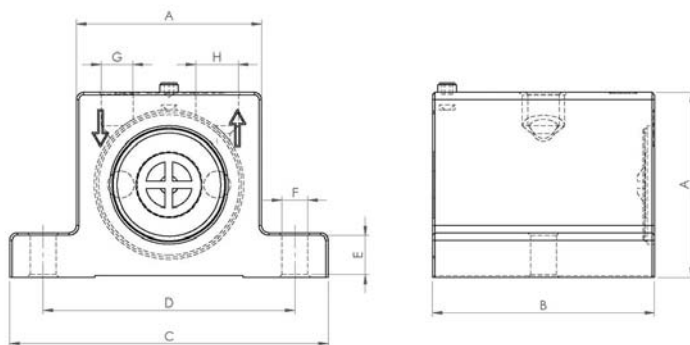


**Design:**

- 1 Housing made from extruded aluminium alloy with hard anodization
- 2 Turbine rotor
- 3 Aluminium = light
- 4 Brass = heavy
- 5 Ball bearing
- 6 Plastic end plate with screw thread
- 7 Nylon end plate
- 8 Speed channels
- 9 Air supply
- 10 Air outlet
- 11 Base mounting bores



### DIMENSIONAL SPECIFICATIONS



	mm	inch
A	50	1,97
B	60	2,36
C	86	3,39
D	68	2,68
E	12	0,47
F	7	0,28
G	G 1/8"	G 1/8"
H	G 1/4"	G 1/4"

	kg	LBS
Vibrator weight	0,52	1,156

This datas and outline drawings of this technical sheet are the property of ACBMV company. Don't reproduce or copy without authorization. This datas and outline drawings are intended to depict overall dimensions and do not necessarily represent the machine exterior. Information contained herein is subject to change without notice.