

Turbine vibrator type T80/HP

ACBMV B. CASADIO VIBRATION
 Z.I. Mi-Plaine
 51 Rue Ampère
 B.P. 31
 69682 CHASSIEU CEDEX (FRANCE)
 Tel.: 04 78 90 87 87 / Fax.: 04 78 90 87 88
 Email: vibrateur@orange.fr
 Internet: acbmv.com

Description:
 High speed and high working torque for strong vibration at great amplitude. Wide range.

VIBRATING AND PNEUMATIC CARACTERISTICS

	2 Bars/29 PSI	4 Bars/58 PSI	6 Bars/87 PSI	Typical applications: <ul style="list-style-type: none"> Emptying of bunkers Screen filters Vibrating tables Preventing adhesions in pipelines and silos Transport of fine powders Movement of bulk materials Construction: <ul style="list-style-type: none"> Vibration with a high eccentric torque, caused by the rotor's unbalance Low noise level
Frequency (RPM)	6800	9000	10500	
Force (N)	2000	3470	4740	
Force (LBS)	450,45	781,53	1067,57	
Air cons. (l/min)	-	260	385	
Air cons. (CF)	-	9,29	13,75	

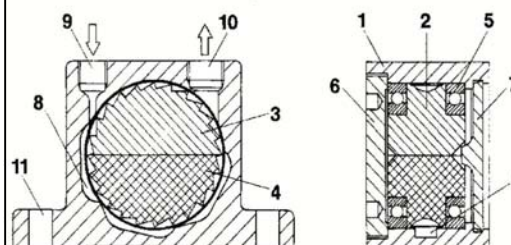
Properties:

- Rated frequency 6800 – 10500 RPM
- Centrifugal force 2000 – 4740 N
- Continuously variable (Compressed air)
- Can be used at up to 150°C
- Resistant to extreme environmental conditions

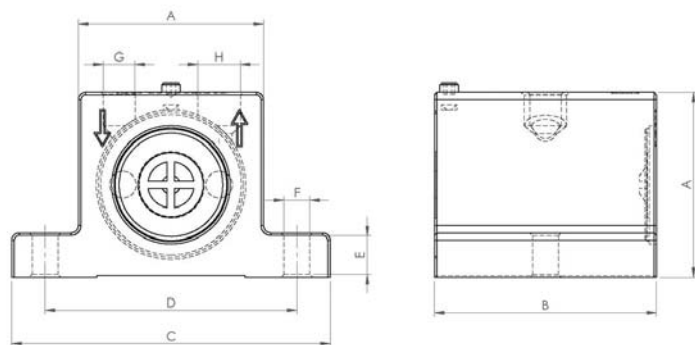


Design:

- 1 Housing made from extruded aluminium alloy with hard anodization
- 2 Turbine rotor
- 3 Aluminium = light
- 4 Brass = heavy
- 5 Ball bearing
- 6 Plastic end plate with screw thread
- 7 Nylon end plate
- 8 Speed channels
- 9 Air supply
- 10 Air outlet
- 11 Base mounting bores



DIMENSIONAL SPECIFICATIONS



	mm	inch
A	80	3,15
B	70	2,76
C	128	5,04
D	104	4,10
E	16	0,63
F	11	0,43
G	G 1/4"	G 1/4"
H	G 3/8"	G 3/8"
		kg LBS
Vibrator weight		1,56 3,467