

Stainless steel 316 turbine vibrator type GT10RF EX

CE EX II 2 G/D c T6 T85°C

ACBMV B. CASADIO VIBRATION
 Z.I. Mi-Plaine
 51 Rue Ampère
 B.P. 31
 69682 CHASSIEU CEDEX (FRANCE)
 Tel.: 04 78 90 87 87 / Fax.: 04 78 90 87 88
 Email: vibrateur@orange.fr
 Internet: acbm.com

Description:
 Pneumatic turbine vibrators made from non-rusting steel.

VIBRATING AND PNEUMATIC CHARACTERISTICS

	2 Bars/29 PSI	4 Bars/58 PSI	6 Bars/87 PSI
Frequency (RPM)	27000	34500	37000
Force (N)	750	1450	2100
Force (LBS)	168,92	326,58	472,97
Air cons. (l/min)	46	80	112
Air cons. (CF)	1,64	2,86	4,00

Typical applications:

- For foodstuffs and pharmaceuticals, FDA specifications
- Bunker emptying
- Screen filter
- Vibrating tables
- Preventing adhesions in pipelines and silos
- Moving of bulk materials

Construction:

- Vibration from the centrifugal force of positive and negative unbalanced torques in the rotor.
- Rotor on two pre-lubricated and enclosed ball bearings arranged in pairs.
- Made from non-rusting steel 316 (4435.0) and lubricated with special grease for

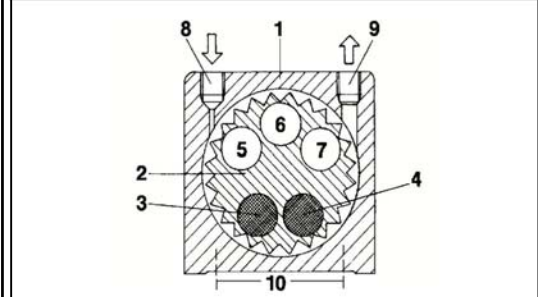
Properties:

- Lubrication free
- Extremely quiet
- Heavy vibration by means of high speeds and eccentric working torques
- Nominal frequency 27000 – 37000 RPM
- Centrifugal force 750 – 2100 N
- Continuously variable (Compressed air)
- Can be used at temperatures up to 150°C
- Resistant to extreme environmental conditions

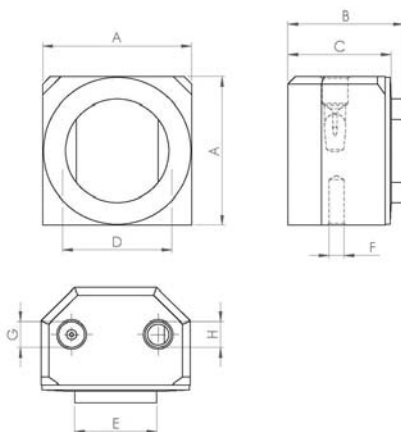


Design:

- 1 Stainless steel housing
- 2 Turbine wheel made from surface-hardened aluminium
- 3-4 high-density inserts: positive torque
- 5-7 openings for achieving negative torque
- 8 Air supply
- 9 Air outlet
- 10 Base mounting bores



DIMENSIONAL SPECIFICATIONS



	mm	inch
A	49	1,93
B	38	1,50
C	32	1,26
D	36	1,42
E	27	1,06
F	M6	M6
G	G 1/8"	G 1/8"
H	G 1/8"	G 1/8"

	kg	LBS
Vibrator weight	0,525	1,167

This datas and outline drawings of this technical sheet are the property of ACBMV company. Don't reproduce or copy without authorization. This datas and outline drawings are intended to depict overall dimensions and do not necessarily represent the machine exterior. Information contained herein is subject to change without notice.