

Internal piston vibratortype FP12L

ACBMV B. CASADIO VIBRATION
Z.I. Mi-Plaine
51 Rue Ampère
B.P. 31
69682 CHASSIEU CEDEX (FRANCE)
Tel.: 04 78 90 87 87 / Fax.: 04 78 90 87 88
Email: vibrateur@orange.fr
Internet: acbm.com

Description:

Pneumatic piston vibrators for linear vibration with unlimited fine-tuning facilities for amplitude and frequency. Wide range.

VIBRATING AND PNEUMATIC CHARACTERISTICS

	2 Bars/29 PSI	4 Bars/58 PSI	6 Bars/87 PSI
Frequency (strike/min)	4000	4800	5400
Force (N)	32	58	81
Force (LBS)	7,21	13,06	18,24
Air cons. (l/min)	1	3	20
Air cons. (CF)	0,04	0,11	0,71

Typical applications:

- Driving conveyor and discharge chutes
- Loosening or compacting of bulk materials
- Starting up of mechanical processes
- Filling facilities

Construction:

Aluminium housing surface-hardened and corrosion-resistant

Properties:

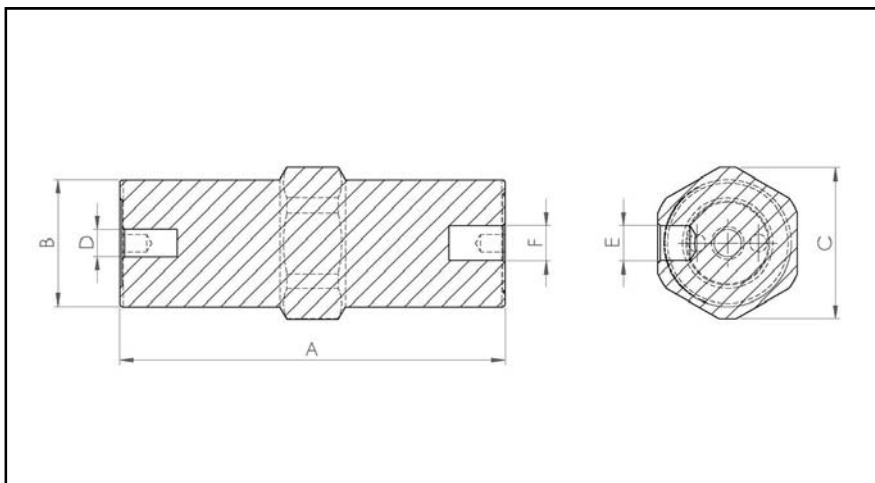
- Quiet and efficient
- Nominal frequency 4000 – 5400 strikes/min
- Centrifugal force 32 – 81 N
- Frequency and amplitude can be regulated
- Can be used at temperatures up to 150°C
- Resistant to extreme environmental conditions
- Extremely low noise level

Design:

Housing made from hard-anodized aluminium alloy
Piston made from leaded-bronze
Steel spring starting device
Sound-absorbing air outlet system
Hard anodized aluminium base
Threaded insert for mounting purposes



DIMENSIONAL SPECIFICATIONS



	mm	inch
A	94	3,70
B	31	1,22
C	37	1,46
D	M8	M8
E	G 1/8"	G 1/8"
F	G 1/8"	G 1/8"
	kg	LBS
Vibrator weight	0,205	0,456
Housing weight	0,165	0,367
Piston weight	0,04	0,089

This datas and outline drawings of this technical sheet are the property of ACBMV company. Don't reproduce or copy without authorization. This datas and outline drawings are intended to depict overall dimensions and do not necessarily represent the machine exterior. Information contained herein is subject to change without notice.