

TECHNICAL DATA SHEET PNEUMATIC VIBRATOR

Internal piston vibrator type FP18S

ACBMV B. CASADIO VIBRATION
 Z.I. Mi-Plaine
 51 Rue Ampère
 B.P. 31
 69682 CHASSIEU CEDEX (FRANCE)
 Tel.: 04 78 90 87 87 / Fax.: 04 78 90 87 88
 Email: vibrateur@orange.fr
 Internet: acbm.com

Description:
 Pneumatic piston vibrators for linear vibration with unlimited fine-tuning facilities for amplitude and frequency. Wide range.

VIBRATING AND PNEUMATIC CHARACTERISTICS

	2 Bars/29 PSI	4 Bars/58 PSI	6 Bars/87 PSI
Frequency (strike/min)	5000	6400	7700
Force (N)	66	134	187
Force (LBS)	14,86	30,18	42,12
Air cons. (l/min)	5	33	57
Air cons. (CF)	0,18	1,18	2,04

Typical applications:

- Driving conveyor and discharge chutes
- Loosening or compacting of bulk materials
- Starting up of mechanical processes
- Filling facilities

Construction:
 Aluminium housing surface-hardened and corrosion-resistant

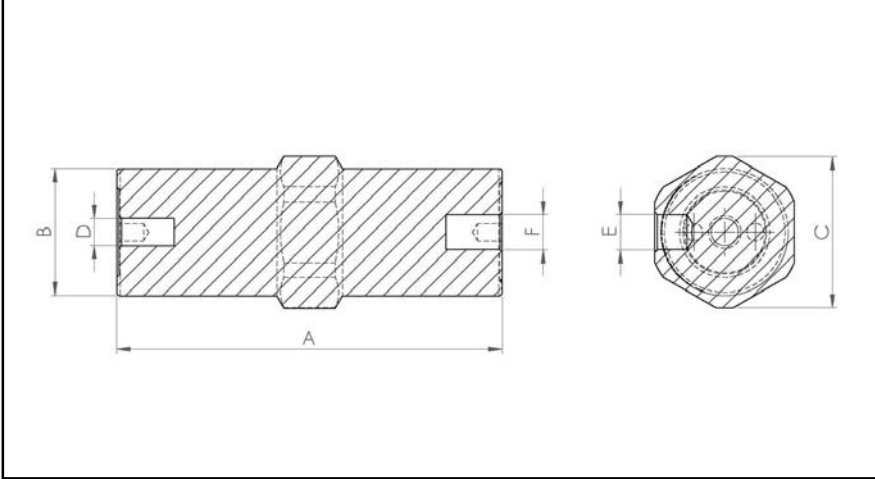
- Properties:**
- Quiet and efficient
 - Nominal frequency 5000 – 7700 strikes/min
 - Centrifugal force 66 – 187 N
 - Frequency and amplitude can be regulated
 - Can be used at temperatures up to 150°C
 - Resistant to extreme environmental conditions
 - Extremely low noise level



Design:
 Housing made from hard-anodized aluminium alloy
 Piston made from leaded-bronze
 Steel spring starting device
 Sound-absorbing air outlet system
 Hard anodized aluminium base
 Threaded insert for mounting purposes



DIMENSIONAL SPECIFICATIONS



	mm	inch
A	81	3,19
B	40	1,58
C	45	1,77
D	M10	M10
E	G 1/8"	G 1/8"
F	G 1/8"	G 1/8"

	kg	LBS
Vibrator weight	0,28	0,622
Housing weight	0,22	0,489
Piston weight	0,06	0,133

This datas and outline drawings of this technical sheet are the property of ACBMV company. Don't reproduce or copy without authorization. This datas and outline drawings are intended to depict overall dimensions and do not necessarily represent the machine exterior. Information contained herein is subject to change without notice.