



TECHNICAL DATA SHEET PNEUMATIC VIBRATOR

Lubrication free internal piston vibrator type FPLF35S

ACBMV B. CASADIO VIBRATION
 Z.I. Mi-Plaine
 51 Rue Ampère
 B.P. 31
 69682 CHASSIEU CEDEX (FRANCE)
 Tel.: 04 78 90 87 87 / Fax.: 04 78 90 87 88
 Email: vibrateur@orange.fr
 Internet: acbm.com

Description:

Lubrication free pneumatic piston vibrators for a linear vibration with unlimited fine-tuning facilities for amplitude and frequency. Wide range.

VIBRATING AND PNEUMATIC CHARACTERISTICS

	2 Bars/29 PSI	4 Bars/58 PSI	6 Bars/87 PSI
Frequency (strike/min)	3800	4700	5800
Force (N)	294	668	1038
Force (LBS)	66,22	150,45	233,78
Air cons. (l/min)	23	101	162
Air cons. (CF)	0,82	3,61	5,79

Typical applications:

- Foodstuffs and pharmaceuticals
- Driving conveyor and discharge chutes
- Loosening or compacting of bulk materials
- Starting up of mechanical processes
- Filling facilities

Construction:

- Lubrication free operation possible.
- Extra hard and corrosion-resistant surface through aluminium oxide-generated by titaniferous electrolyte.
- Ideally suited for foodstuffs, drinks and pharmaceuticals.

Properties:

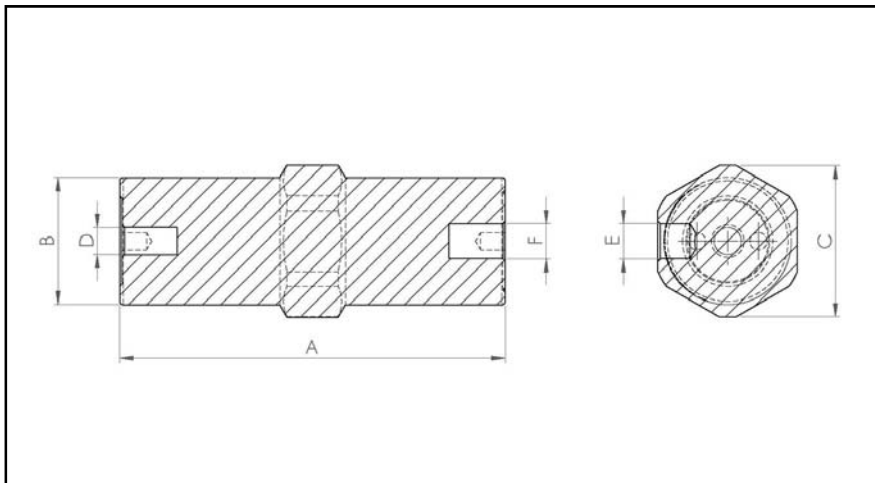
- Efficient
- Nominal frequency 3800 – 5800 strikes/min
- Centrifugal force 294 – 1038 N
- Frequency and amplitude can be regulated
- Can be used at temperatures up to 150°C
- Resistant to extreme environmental conditions
- Extremely low noise level

Design:

Housing made from hard-anodized aluminium alloy
 Piston made from leaded-bronze
 Steel spring starting device
 Sound-absorbing air outlet system
 Hard anodized aluminium base
 Threaded insert for mounting purposes



DIMENSIONAL SPECIFICATIONS



	mm	inch
A	98	3,86
B	98	3,86
C	65	2,56
D	M12	M12
E	G 1/4"	G 1/4"
F	G 1/4"	G 1/4"

	kg	LBS
Vibrator weight	0,845	1,878
Housing weight	0,53	1,178
Piston weight	0,315	0,700

This datas and outline drawings of this technical sheet are the property of ACBMV company. Don't reproduce or copy without authorization. This datas and outline drawings are intended to depict overall dimensions and do not necessarily represent the machine exterior. Information contained herein is subject to change without notice.