

Lubrication free internal piston vibratorytype FPLF35M EX

CE EX II 2 G/D c T6 T85°C

Description:

Lubrication free pneumatic piston vibrators for a linear vibration with unlimited fine-tuning facilities for amplitude and frequency. Wide range.

ACBMV B. CASADIO VIBRATION

Z.I. Mi-Plaine

51 Rue Ampère

B.P. 31

69682 CHASSIEU CEDEX (FRANCE)

Tel.: 04 78 90 87 87 / Fax.: 04 78 90 87 88

Email: vibrateur@orange.fr

Internet: acbm.com

VIBRATING AND PNEUMATIC CHARACTERISTICS

	2 Bars/29 PSI	4 Bars/58 PSI	6 Bars/87 PSI
Frequency (RPM)	3000	4000	4600
Force (N)	248	778	1080
Force (LBS)	55,86	175,23	243,24
Air cons. (l/min)	24	83	141
Air cons. (CF)	0,86	2,96	5,04

Typical applications:

- Foodstuffs and pharmaceuticals
- Driving conveyor and discharge chutes
- Loosening or compacting of bulk materials
- Starting up of mechanical processes
- Filling facilities

Construction:

- Lubrication free operation possible.
- Extra hard and corrosion-resistant surface through aluminium oxide-generated by titaniferous electrolyte.
- Ideally suited for foodstuffs, drinks and pharmaceuticals.

Properties:

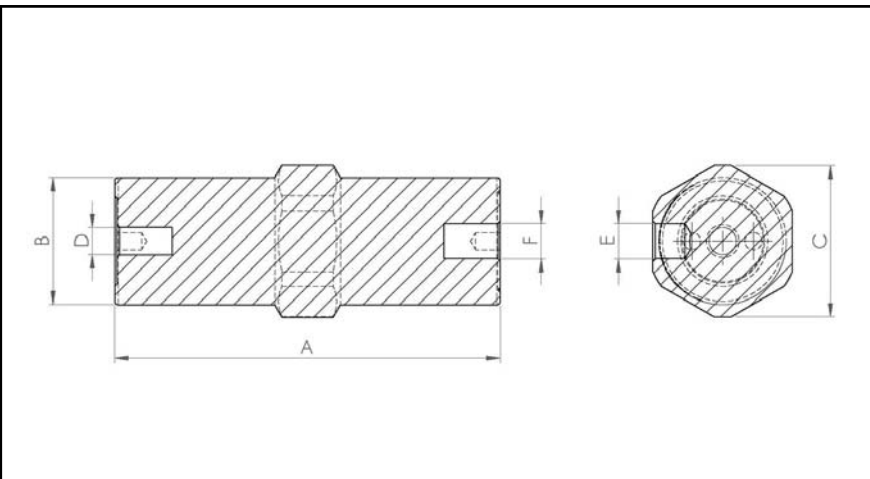
- Efficient
- Nominal frequency 3000 – 4600 strikes/min
- Centrifugal force 248 – 1080 N
- Frequency and amplitude can be regulated
- Can be used at temperatures up to 150°C
- Resistant to extreme environmental conditions
- Extremely low noise level



Design:

Housing made from hard-anodized aluminium alloy
Piston made from leaded-bronze
Steel spring starting device
Sound-absorbing air outlet system
Hard anodized aluminium base
Threaded insert for mounting purposes

DIMENSIONAL SPECIFICATIONS



	mm	inch
A	116	4,57
B	116	4,57
C	65	2,56
D	M12	M12
E	G 1/4"	G 1/4"
F	G 1/4"	G 1/4"

	kg	LBS
Vibrator weight	1,04	2,311
Housing weight	0,61	1,356
Piston weight	0,43	0,956