

## Lubrication free internal piston vibratortype FPLF95M

ACBMV B. CASADIO VIBRATION  
 Z.I. Mi-Plaine  
 51 Rue Ampère  
 B.P. 31  
 69682 CHASSIEU CEDEX (FRANCE)  
 Tel.: 04 78 90 87 87 / Fax.: 04 78 90 87 88  
 Email: vibrateur@orange.fr  
 Internet: acbmv.com

**Description:**  
 Lubrication free pneumatic piston vibrators for a linear vibration with unlimited fine-tuning facilities for amplitude and frequency. Wide range.

### VIBRATING AND PNEUMATIC CHARACTERISTICS

|                        | 2 Bars/29 PSI | 4 Bars/58 PSI | 6 Bars/87 PSI |
|------------------------|---------------|---------------|---------------|
| Frequency (strike/min) | 1800          | 2400          | 2800          |
| Force (N)              | 1500          | 2620          | 4270          |
| Force (LBS)            | 405,41        | 540,54        | 630,63        |
| Air cons. (l/min)      | 170           | 300           | 450           |
| Air cons. (CF)         | 6,07          | 10,71         | 16,07         |

**Typical applications:**

- Foodstuffs and pharmaceuticals
- Driving conveyor and discharge chutes
- Loosening or compacting of bulk materials
- Starting up of mechanical processes
- Filling facilities

**Construction:**

- Lubrication free operation possible.
- Extra hard and corrosion-resistant surface through aluminium oxide-generated by titaniferous electrolyte.
- Ideally suited for foodstuffs, drinks and pharmaceuticals.

**Properties:**

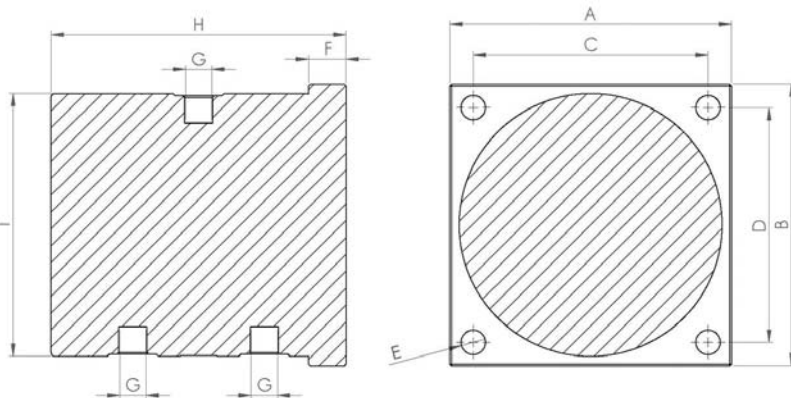
- Efficient
- Nominal frequency 1500 – 4270 strikes/min
- Centrifugal force 1800 – 2800 N
- Frequency and amplitude can be regulated
- Can be used at temperatures up to 150°C
- Resistant to extreme environmental conditions
- Extremely low noise level



**Design:**

Housing made from hard-anodized aluminium alloy  
 Piston made from leaded-bronze  
 Steel spring starting device  
 Sound-absorbing air outlet system  
 Hard anodized aluminium base  
 Threaded insert for mounting purposes

### DIMENSIONAL SPECIFICATIONS



|   | mm     | inch   |
|---|--------|--------|
| A | 150    | 5,91   |
| B | 150    | 5,91   |
| C | 125    | 4,93   |
| D | 125    | 4,93   |
| E | 13     | 0,51   |
| F | 20     | 0,79   |
| G | G 3/8" | G 3/8" |
| H | G 3/8" | G 3/8" |
| I | G 3/8" | G 3/8" |
| J | G 3/8" | 157    |
| K | 157    | 140    |

|                 | kg   | LBS    |
|-----------------|------|--------|
| Vibrator weight | 9,4  | 20,889 |
| Housing weight  | 4900 | 10889  |
| Piston weight   | 4900 | 10889  |