

Lubrication free internal piston vibratorytype FPL95M EX

CE EX II 2 G/D c T6 T85°C

ACBMV B. CASADIO VIBRATION
 Z.I. Mi-Plaine
 51 Rue Ampère
 B.P. 31
 69682 CHASSIEU CEDEX (FRANCE)
 Tel.: 04 78 90 87 87 / Fax.: 04 78 90 87 88
 Email: vibrateur@orange.fr
 Internet: acbmv.com

Description:

Lubrication free pneumatic piston vibrators for a linear vibration with unlimited fine-tuning facilities for amplitude and frequency. Wide range.

VIBRATING AND PNEUMATIC CHARACTERISTICS

	2 Bars/29 PSI	4 Bars/58 PSI	6 Bars/87 PSI
Frequency (RPM)	1800	2400	2800
Force (N)	1500	2620	4270
Force (LBS)	405,41	540,54	630,63
Air cons. (l/min)	170	300	450
Air cons. (CF)	6,07	10,71	16,07

Typical applications:

- Foodstuffs and pharmaceuticals
- Driving conveyor and discharge chutes
- Loosening or compacting of bulk materials
- Starting up of mechanical processes
- Filling facilities

Construction:

- Lubrication free operation possible.
- Extra hard and corrosion-resistant surface through aluminium oxide-generated by titaniferous electrolyte.
- Ideally suited for foodstuffs, drinks and pharmaceuticals.

Properties:

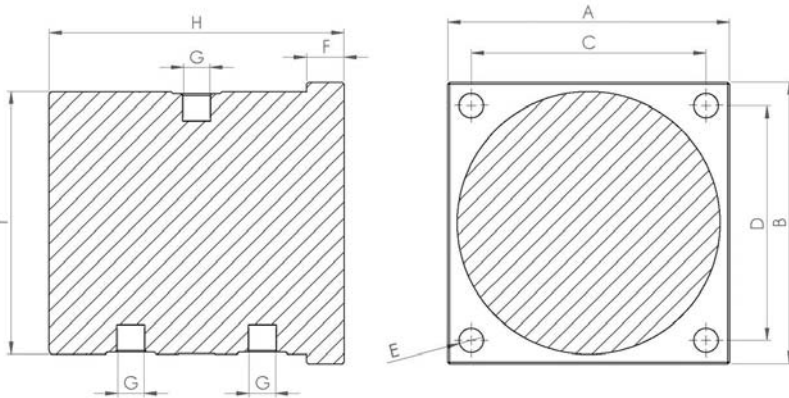
- Efficient
- Nominal frequency 1500 – 4270 strikes/min
- Centrifugal force 1800 – 2800 N
- Frequency and amplitude can be regulated
- Can be used at temperatures up to 150°C
- Resistant to extreme environmental conditions
- Extremely low noise level



Design:

Housing made from hard-anodized aluminium alloy
 Piston made from leaded-bronze
 Steel spring starting device
 Sound-absorbing air outlet system
 Hard anodized aluminium base
 Threaded insert for mounting purposes

DIMENSIONAL SPECIFICATIONS



	mm	inch
A	150	5,91
B	150	5,91
C	125	4,93
D	125	4,93
E	13	0,51
F	20	0,79
G	G 3/8"	G 3/8"
H	G 3/8"	G 3/8"
H	G 3/8"	G 3/8"
I	G 3/8"	G 3/8"
J	157	157

	kg	LBS
Vibrator weight	9,4	20,889
Housing weight	4900	10889
Piston weight	4900	10889